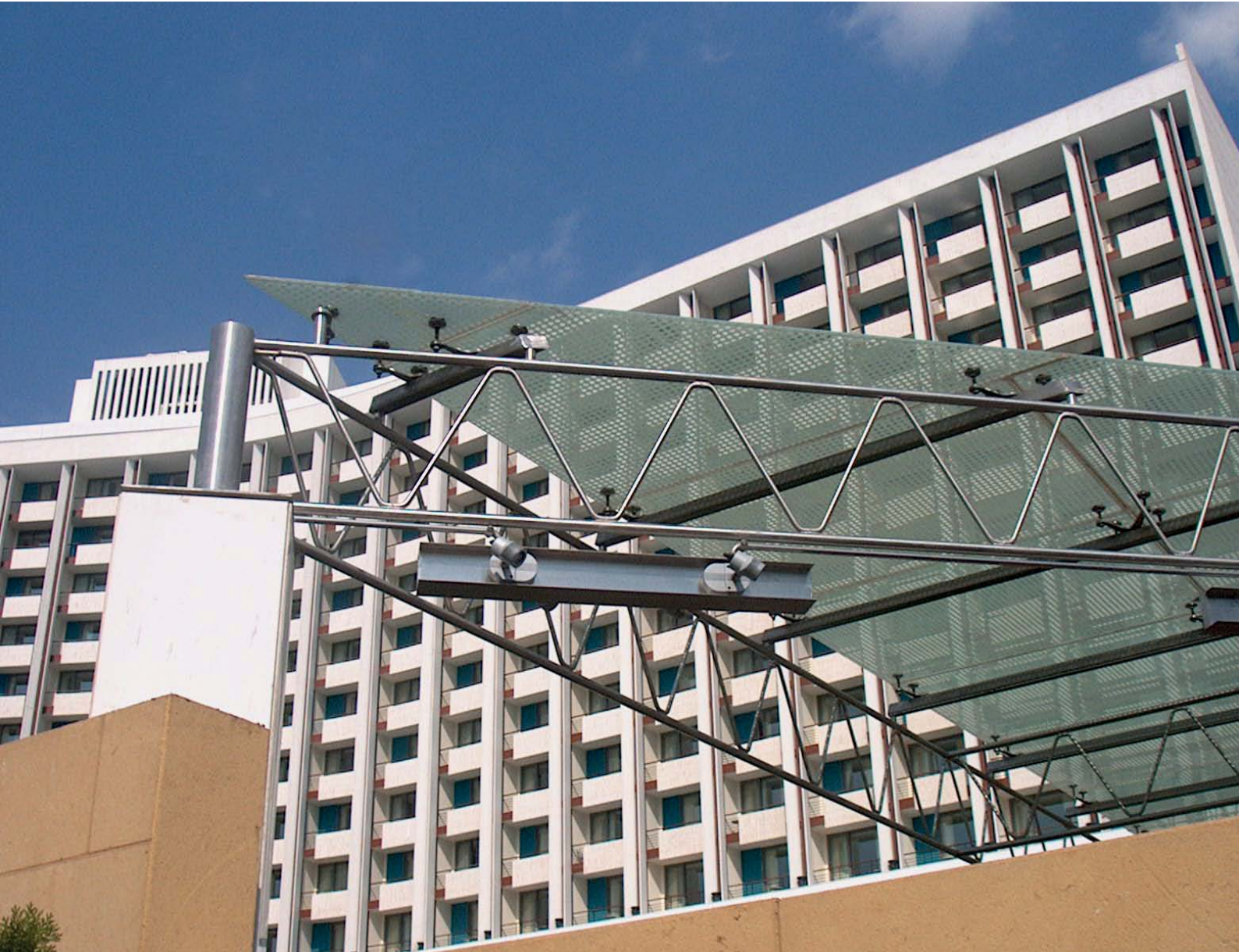
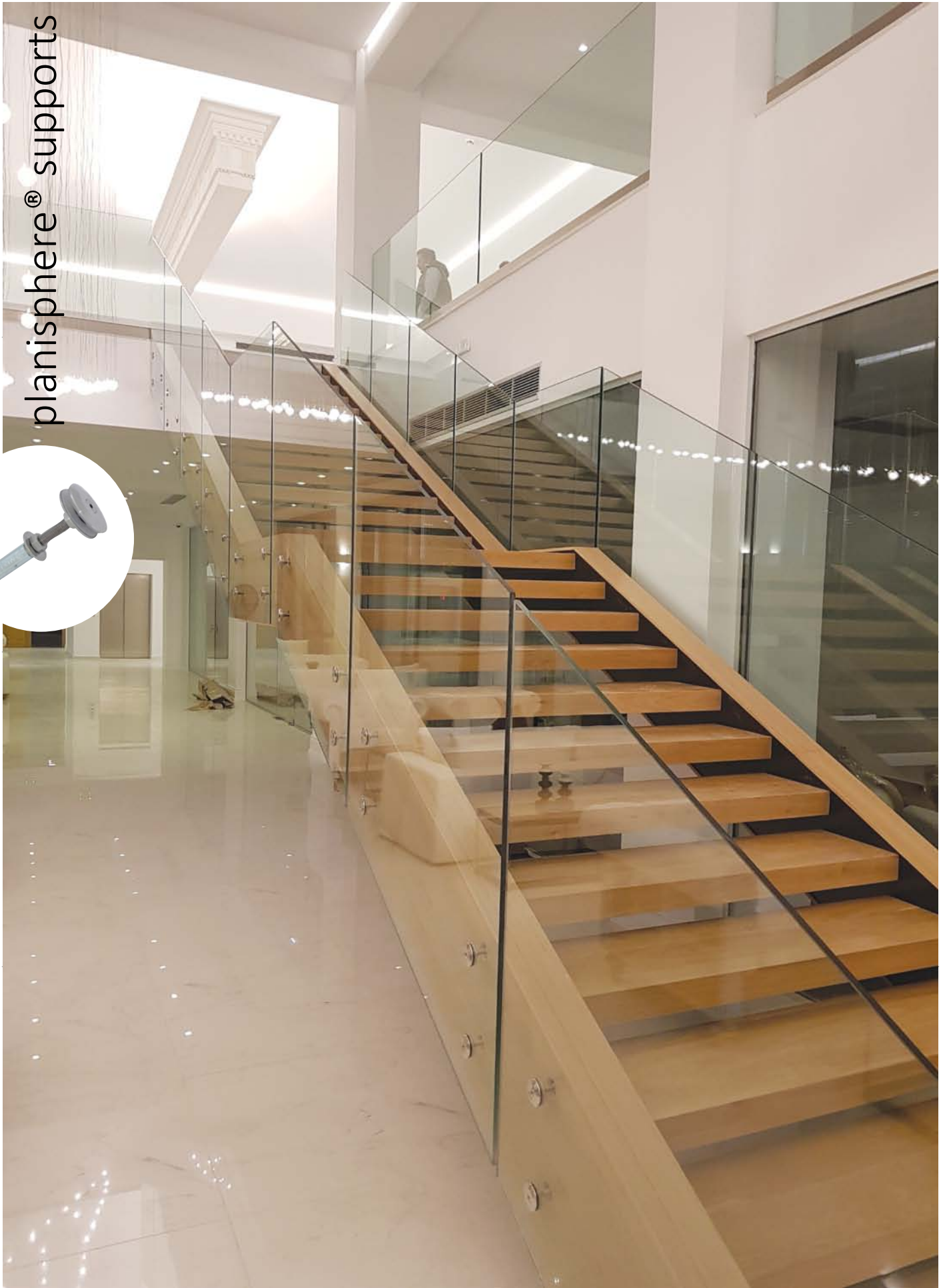


**FACADES & CANOPIES**  
PLANISPHERE<sup>®</sup> & MINOX SYSTEMS



- PLANISPHERE<sup>®</sup> SYSTEMS
- MINOX SYSTEMS

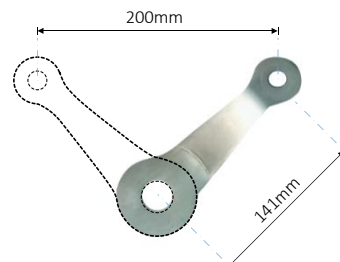
planisphere® supports



### 301.20



**COMPRESSION FORCE** 4.260N  
**TEST REPORT** No 1426 / 2005 / EAY- ΚΔΕΠ



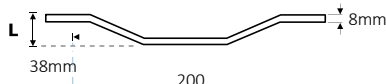
1 Arm Support Solid Stainless Steel

490 gr | Finishing .13 .14

### 302.20



**COMPRESSION FORCE** 4.260N  
**TEST REPORT** No 1426 / 2005 / EAY- ΚΔΕΠ



2 Arms Support Solid Stainless Steel

756 gr | Finishing .13 .14

### 303.20



**COMPRESSION FORCE** 4.260N  
**TEST REPORT** No 1426 / 2005 / EAY- ΚΔΕΠ



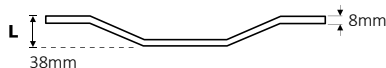
3 Arms Support Solid Stainless Steel

1080 gr | Finishing .13 .14

### 304.20



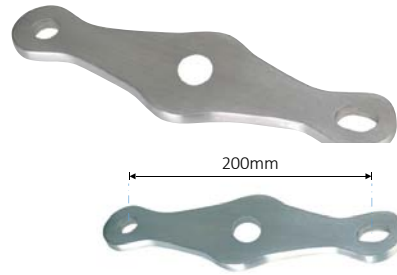
**COMPRESSION FORCE** 4.260N  
**TEST REPORT** No 1426 / 2005 / EAY- ΚΔΕΠ



4 Arms Support Solid Stainless Steel

1315 gr | Finishing .13 .14

**308**



Thickness

**8 mm**

2 Arms Straight Support Solid Stainless Steel

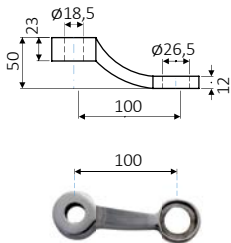
● 609 gr | Finishing .13 .14

**391.15**



1 Arm Support Casted Stainless Steel

● 370 gr | Finishing .23 .24



**398.20**



2 Arms Support Casted Stainless Steel

● 556 gr | Finishing .23 .24

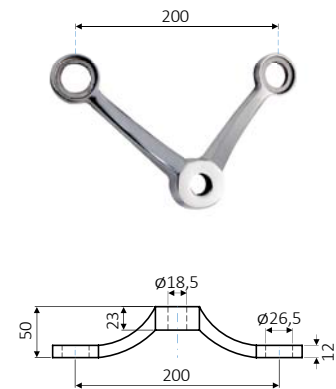


**392.20**



2 Arms Support Casted Stainless Steel

● 710 gr | Finishing .23 .24

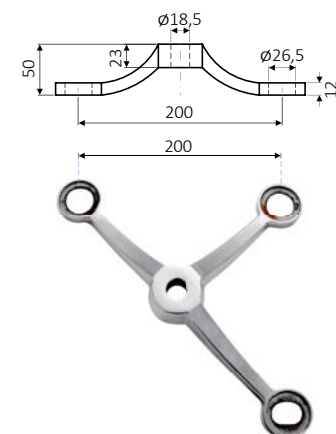


**393.20**



3 Arms Support Casted Stainless Steel

● 1034 gr | Finishing .23 .24

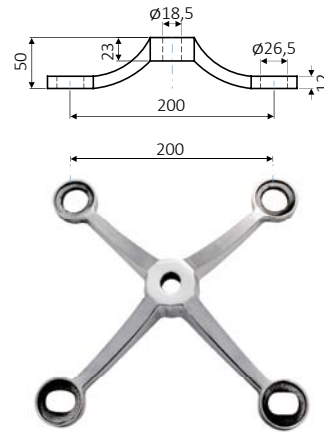


### 394.20



4 Arms Support Casted Stainless Steel

1288 gr | Finishing .23 .24

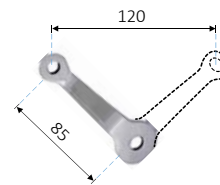


### 301.12



1 Arm Support Solid Stainless Steel

61 gr | Finishing .13 .14

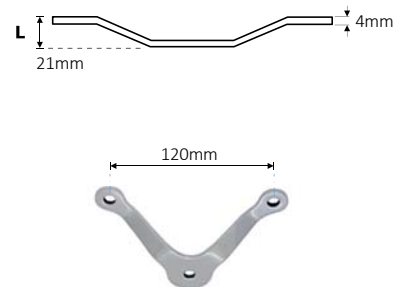


### 302.12



2 Arms Support Solid Stainless Steel

104 gr | Finishing .13 .14

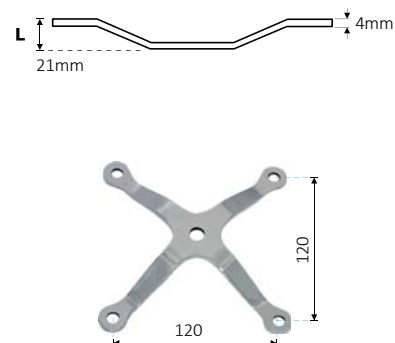


### 304.12



4 Arms Support Small Solid Stainless Steel

166 gr | Finishing .13 .14



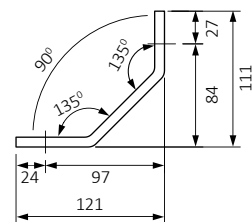
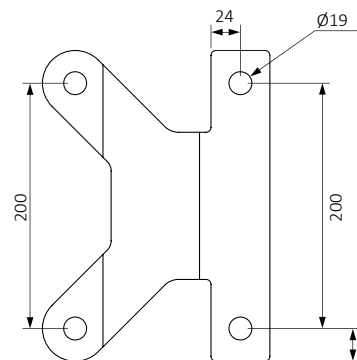
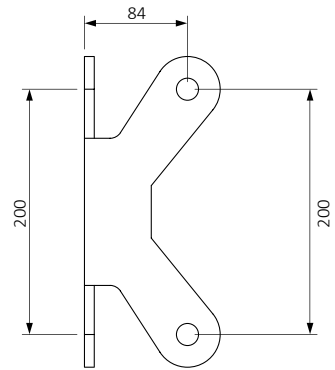
### 307

Two Arms Support to Steel Rod  
Stainless Steel

1857 gr | Finishing .13 .14

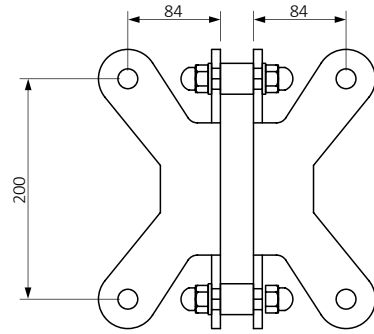


## PLR application

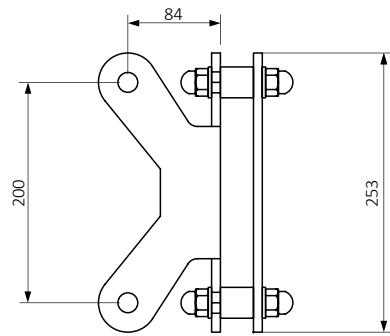




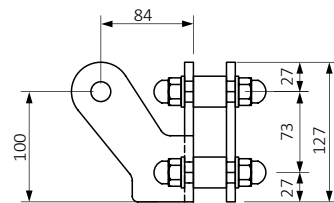
**307.2A-D.20.14**  
Four Arms Support to Glass Fin  
Stainless Steel  
● 4100 gr | Finishing .13 .14



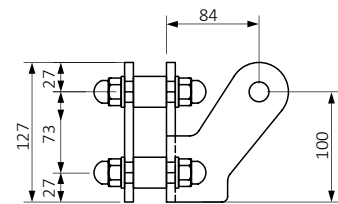
**307.2A-S.20.14**  
Two Arms Support to Glass Fin  
Stainless Steel  
● 2900 gr | Finishing .13 .14



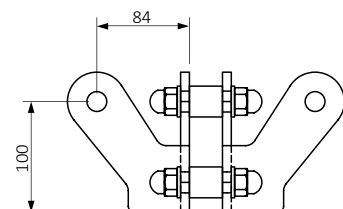
**307.1A-L.20.14**  
One Arm Support to Glass Fin  
Stainless Steel  
● 1600 gr | Finishing .13 .14



**307.1A-R.20.14**  
One Arm Support to Glass Fin  
Stainless Steel  
● 1600 gr | Finishing .13 .14



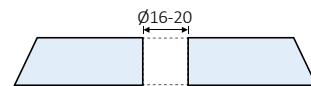
**307.1A-D.20.14**  
Two Arms Support to Glass Fin  
Stainless Steel  
● 2100 gr | Finishing .13 .14



### 311.M8



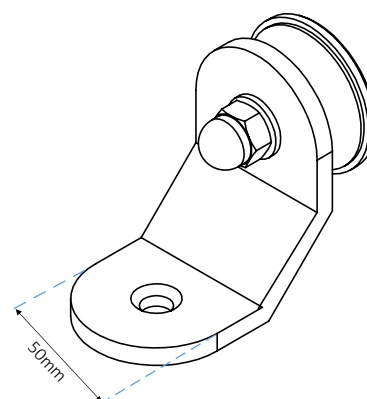
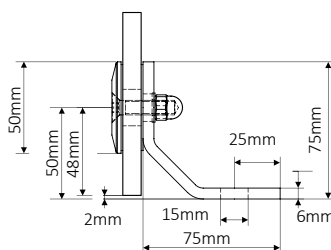
glass cutting



Fixed Head Ø40-M8 Stainless Steel

105 gr | Finishing .13 .14

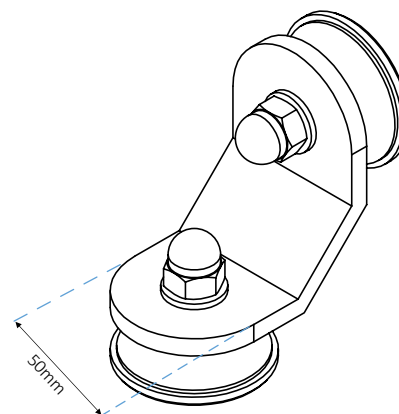
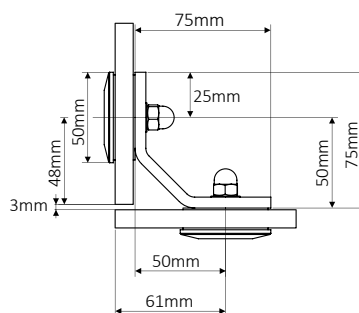
### 361.50



Angle Support G-W Ø50 Stainless Steel

340 gr | Finishing .13 .14

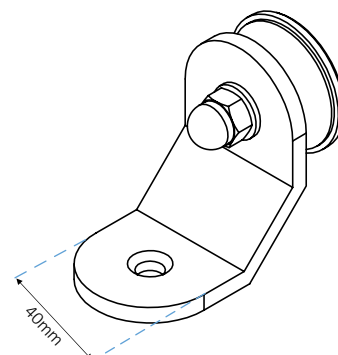
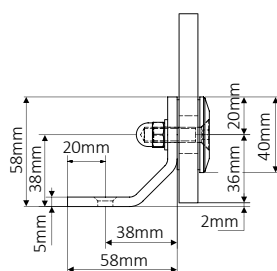
### 362.50



Angle Support G-G Ø50 Stainless Steel

420 gr | Finishing .13 .14

### 363.40

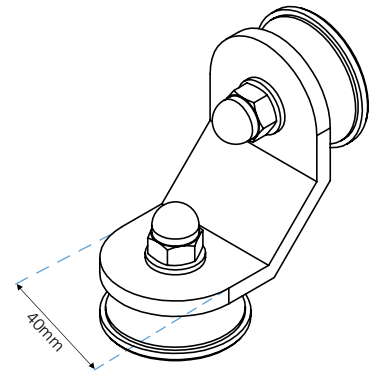
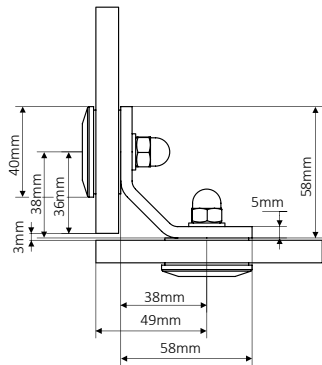


Angle Support G-W Ø40 Stainless Steel

200 gr | Finishing .13 .14



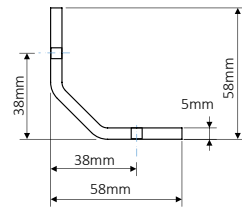
### 364.40



Angle Support G-G Ø40 Stainless Steel

● 265 gr | Finishing .13 .14

### 305.40



90° Angle Support Solid Stainless Steel

● 126 gr | Finishing .13 .14

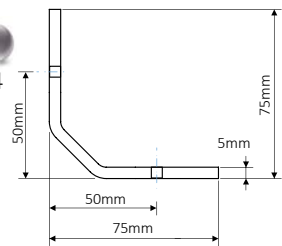
### 305.50

Στήριγμα PLR Γωνιακό 90° Μασίφ  
90° Angle Support Solid  
Stainless Steel

206 gr

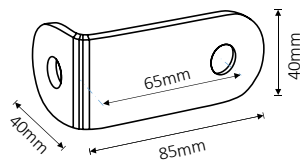


13 14



Thickness 5 mm

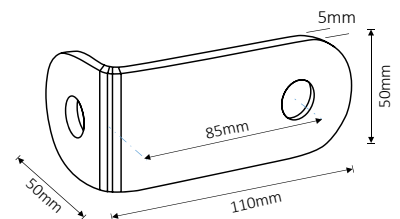
### 306.40



Angle Support G-W Solid Stainless Steel

● 180 gr | Finishing .13 .14

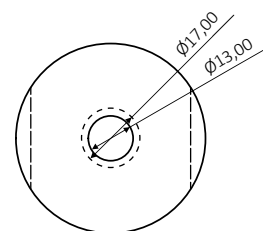
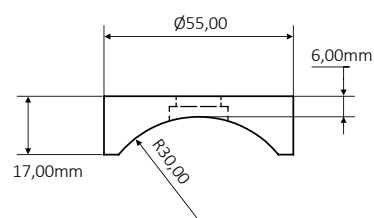
### 306.50



Angle Support G-W Solid Stainless Steel

● 254 gr | Finishing .13 .14

### 310-14



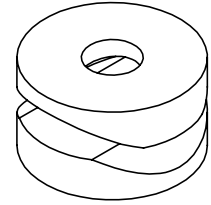
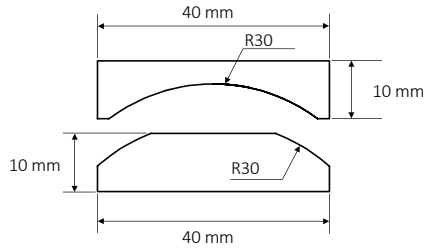
PLR Central Support for Tubes  
Stainless Steel Ø60 to Ø80

● 167 gr | Finishing .13 .14

### 310-01



Special Dimension  
Upon Request



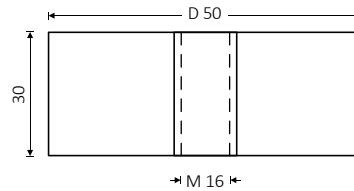
Rings for Spherical Support Stainless Steel

Finishing .13 .14

### 310-02 PLR



Special Dimension  
Upon Request



PLR Central Support Stainless Steel

493 gr | Finishing .13 .14

### 310-08/32



Cone Head PLR Ø32-M8 Stainless Steel

Finishing .13 .14

### 310-08/46

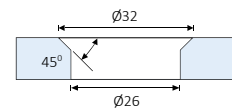
Special Dimension  
Upon Request

Cone Head PLR Ø46-M8 Stainless Steel

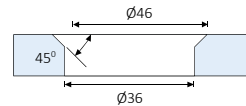
27 gr | Finishing .13 .14

### glass cutting

310-08/32 Ø32-M8-L10



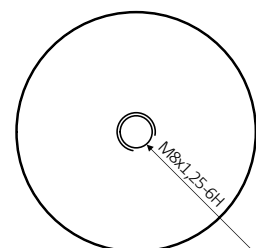
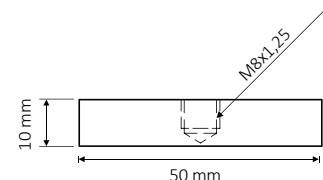
310-08/46 Ø46-M8-L12



### 1627



Special Dimension  
Upon Request



Stainless Steel Rings

Ø50-M8-L10 Ø60-M8-L10 Ø80-M8-L10 Ø100-M8-L10

147 gr | Finishing .13 .14

### 310-07

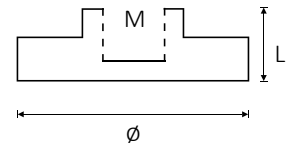


Thickness  
**8 mm**

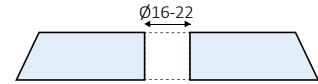
Flat Head PLR Ø40-M14 Stainless Steel

82 gr | Finishing .13 .14

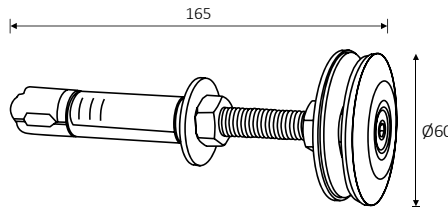
Ø30-M8-L10    Ø40-M12-L14  
Ø40-M10-L12    Ø40-M14-L16



glass cutting



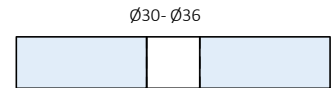
### 311.M12



M12x165mm Flat Head with PFG | Metal  
Anchor M12 | Stainless Steel

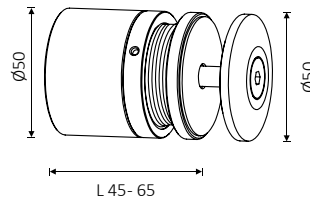
416 gr | Finishing .13 .14

glass cutting



### 885.45 ADJUSTABLE

Adjustment  
from 45 up to 65mm    M10

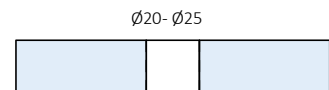


Adjustable Glass Spacer, Stainless steel,  
Metal Anchor M12, Screw M12x90

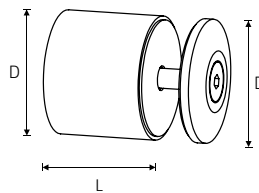
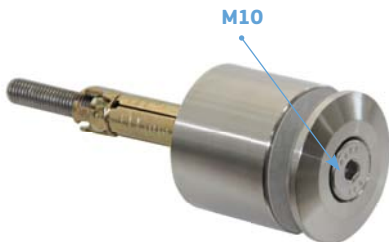
AISI 316    589 gr | Finishing .13 .14

Available for Glass 8-20mm

glass cutting



### 884.40/50

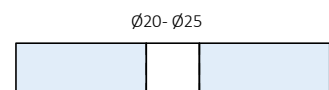


Fixed Spacer for 8-20mm Glass,  
Stainless Steel

AISI 316    **AISI 304**    683 gr | Finishing .13 .14

CODE	D	L
884.30/40	40	30
884.30/50	50	30
884.40/40	40	40
884.40/50	50	40

glass cutting



### 311

Fixed Flat Head PLR  $\varnothing 60$  Stainless Steel

403 gr | Finishing .13 .14



**TENSILE STRENGTH**

21.628N

**TEST REPORT**

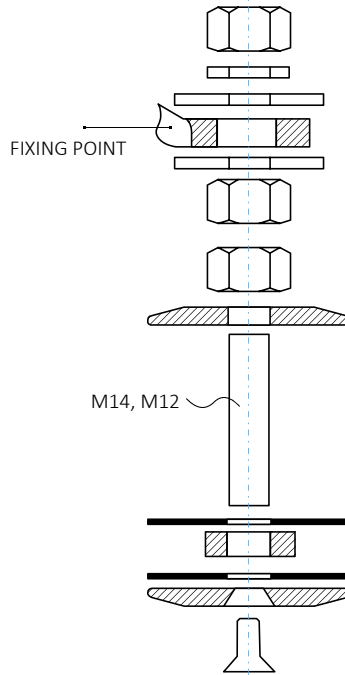
No 1426 / 2005 / EAY- ΚΔΕΠ

**BENDING STRENGTH**

according to blending distance

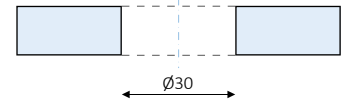
**TEST REPORT**

No 1426 / 2005 / EAY- ΚΔΕΠ

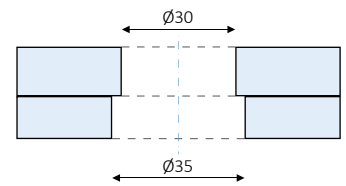


### glass cutting

MONOLITHIC GLASS



LAMINATED GLASS

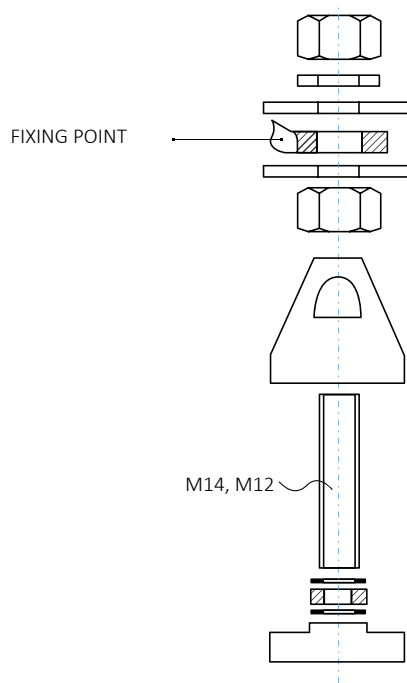


GLASS CUTTING DIAMETER FROM  
 $\varnothing 30 - \varnothing 36$   
STANDARD L: 103mm  
SPECIAL LENGTH UPON REQUEST

### 314

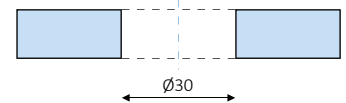
Fixed Flat Head PLR  $\varnothing 40$  Stainless Steel

486 gr | Finishing .13 .14

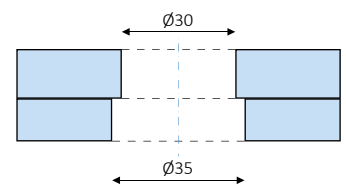


### glass cutting

MONOLITHIC GLASS



LAMINATED GLASS



GLASS CUTTING DIAMETER FROM  
 $\varnothing 25 - \varnothing 30$

### 312

Articulated Flat Head PLR Stainless Steel

495 gr | Finishing .13 .14



**TENSILE STRENGTH**

21.628N

**TEST REPORT**

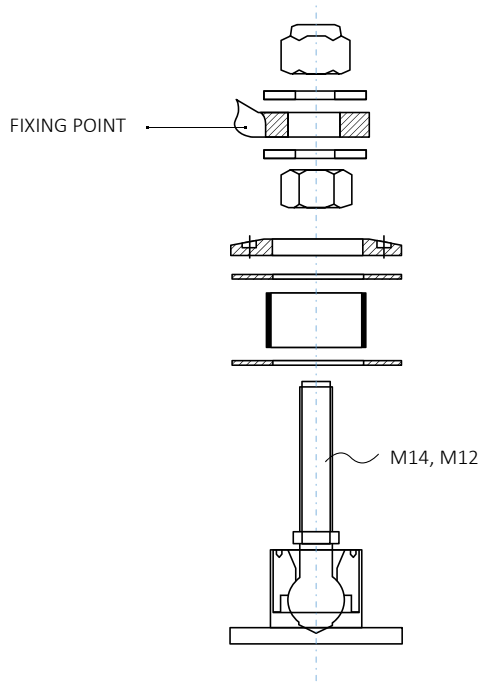
No 1426 / 2005 / EAY- ΚΔΕΠ

**BENDING STRENGTH**

according to blending distance

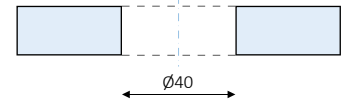
**TEST REPORT**

No 1426 / 2005 / EAY- ΚΔΕΠ

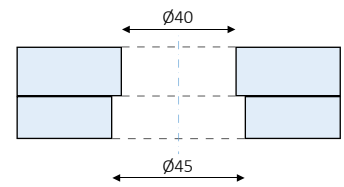


### glass cuttings

MONOLITHIC GLASS



LAMINATED GLASS



GLASS CUTTING DIAMETER Ø40

### 313

Articulated Cone Head PLR Stainless Steel

437 gr | Finishing .13 .14

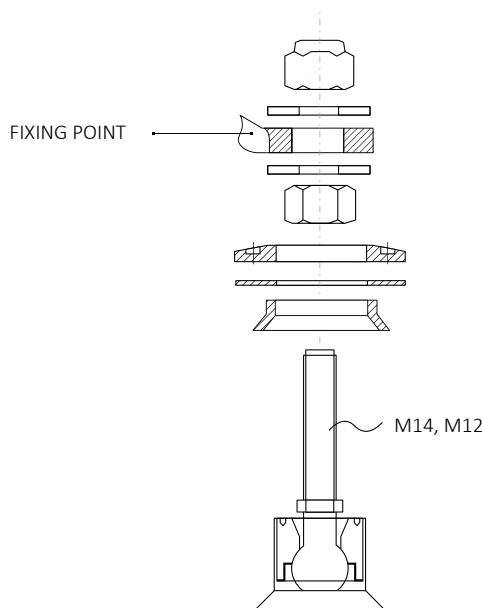


**BENDING STRENGTH**

according to blending distance

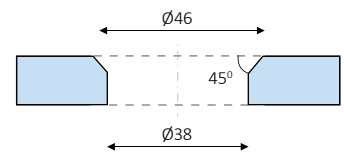
**TEST REPORT**

No 1426 / 2005 / EAY- ΚΔΕΠ

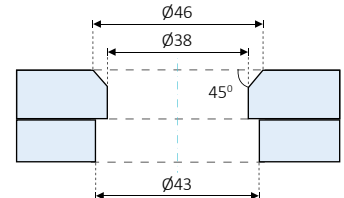


### glass cuttings

MONOLITHIC GLASS



LAMINATED GLASS

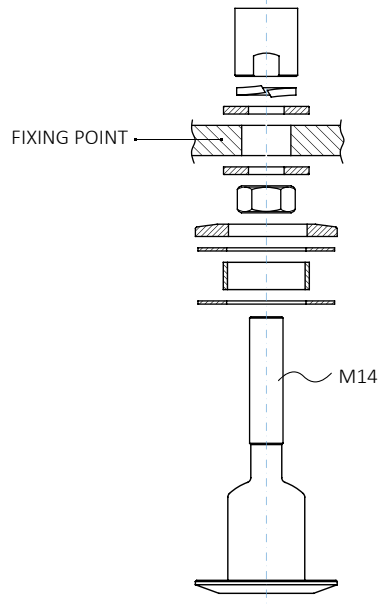


Dimensions mm

### 318.M14

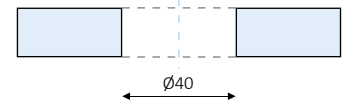
Articulated Flat Head PLR Stainless Steel

532 gr | Finishing .13 .14

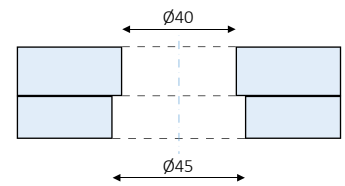


#### glass cuttings

MONOLITHIC GLASS



LAMINATED GLASS

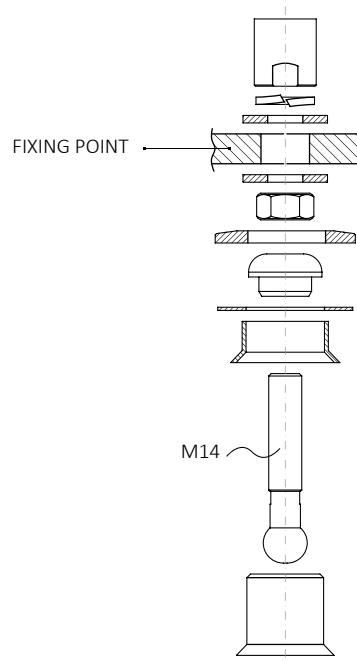


GLASS CUTTING DIAMETER Ø40

### 319.M14

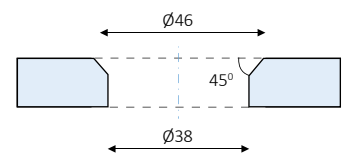
Articulated Cone Head PLR Stainless Steel

446 gr | Finishing .13 .14

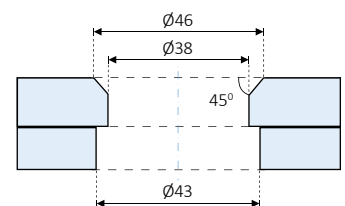


#### glass cuttings

MONOLITHIC GLASS



LAMINATED GLASS



## 341.160

Upper / Bottom Hinge

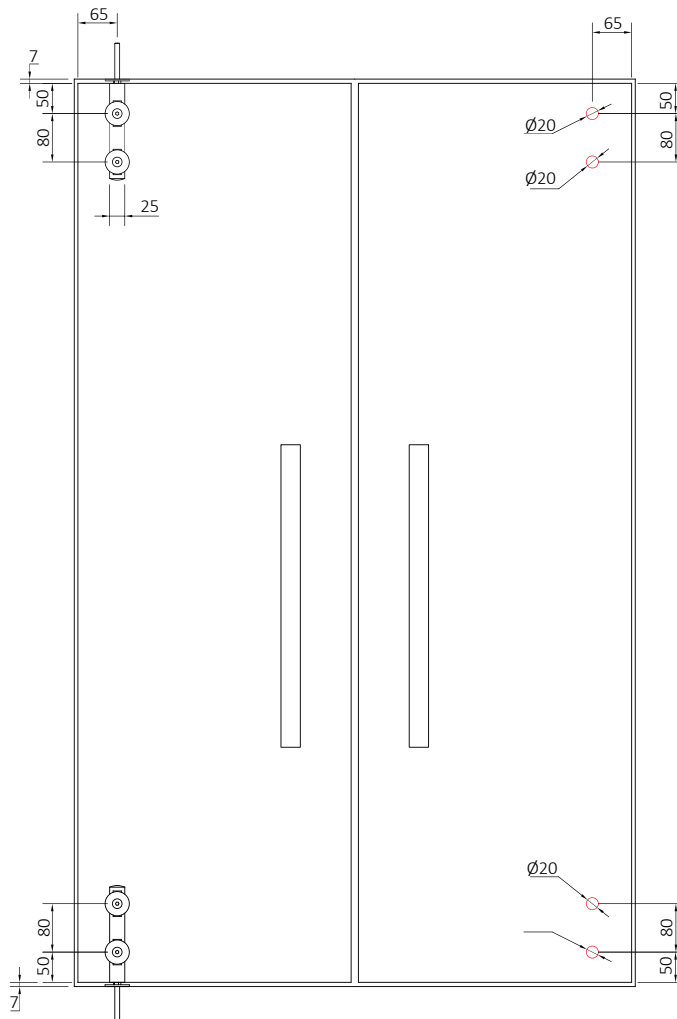
840 gr | Finishing .13 .14



**!Suitable**

FOR SHOWER DOOR APPLICATION

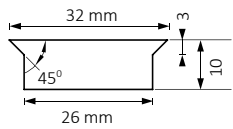
glass cutting



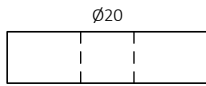
accessories for swing door



**341**



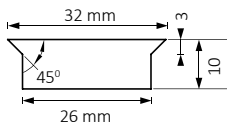
or



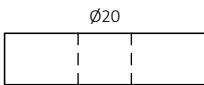
Upper Hinge

1693 gr | Finishing .13 .14

**342**



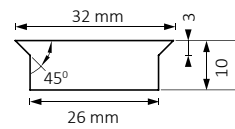
or



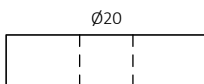
Lower Hinge

1718 gr | Finishing .13 .14

**343**



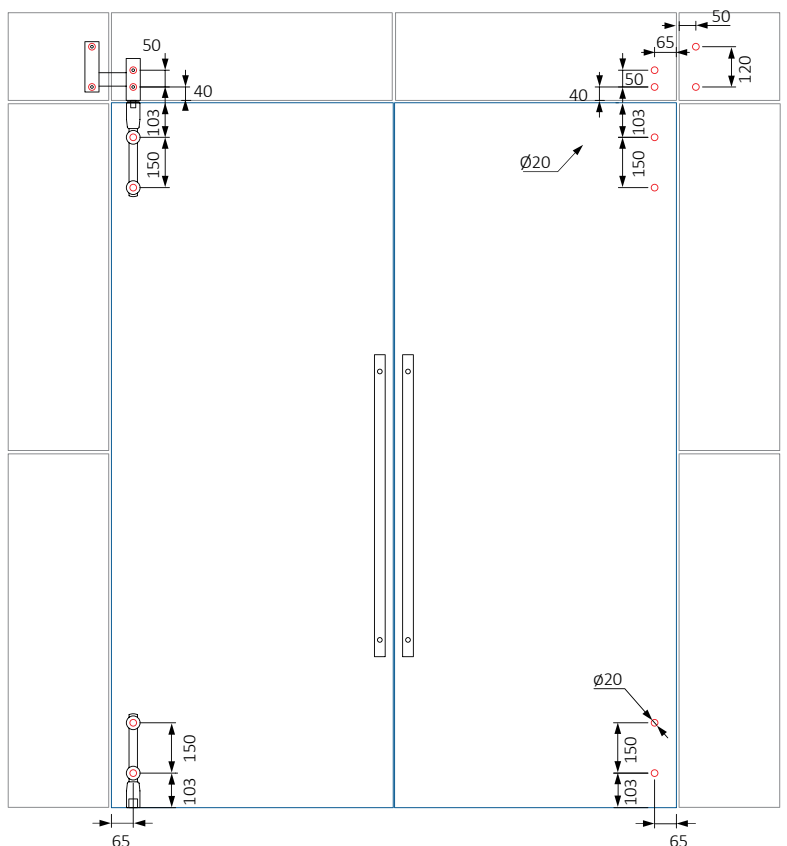
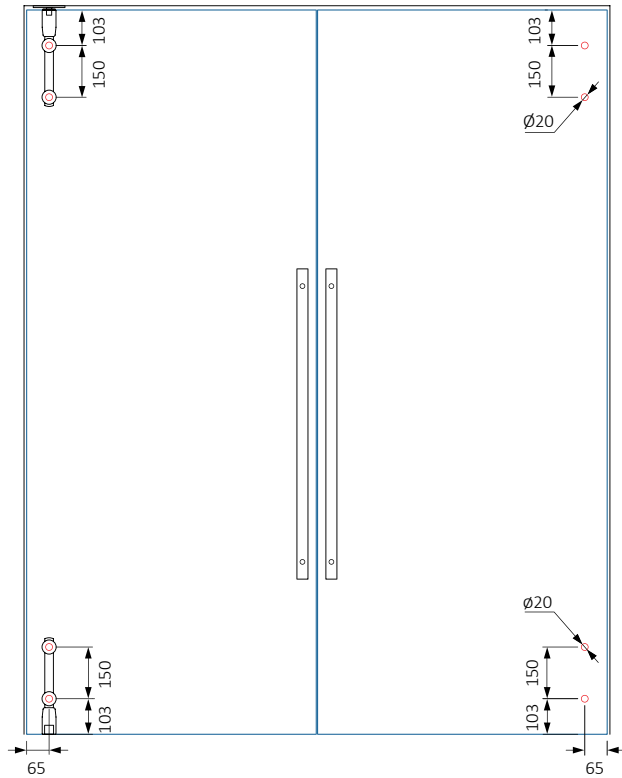
or



Angle Pivot Support

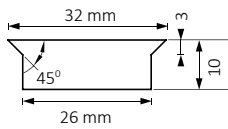
2305 gr | Finishing .13 .14

glass cuttings



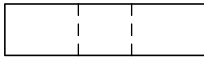


**345**



or

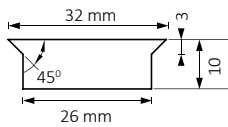
Ø20



Glass to Glass Support

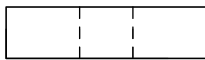
1320 gr | Finishing .13 .14

**346**



or

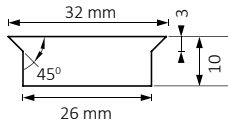
Ø20



Pivot Support

1165 gr | Finishing .13 .14

**347**



or

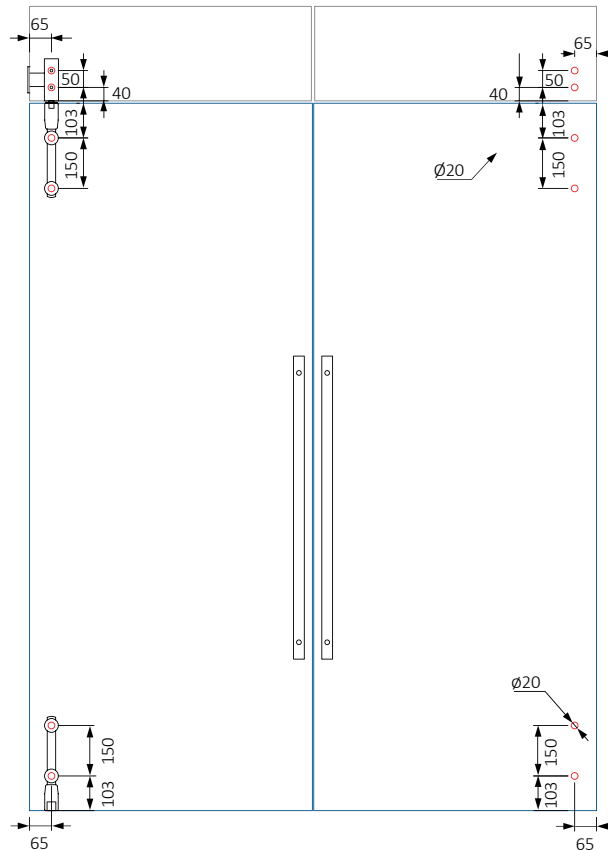
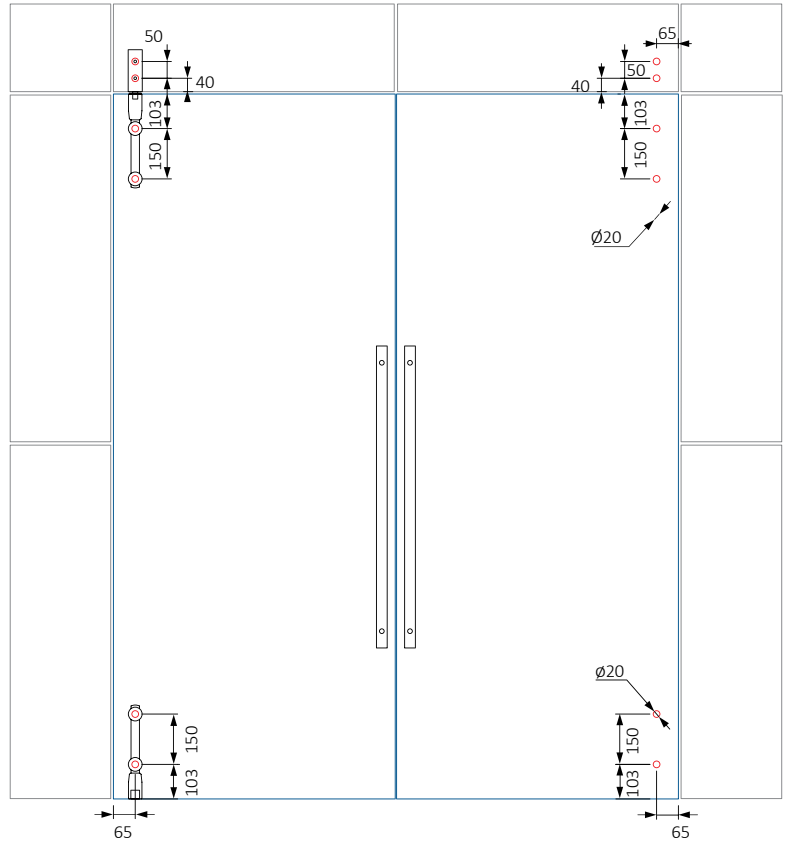
Ø20



Glass to Wall Pivot Support

1455 gr | Finishing .13 .14

glass cuttings



Dimensions mm

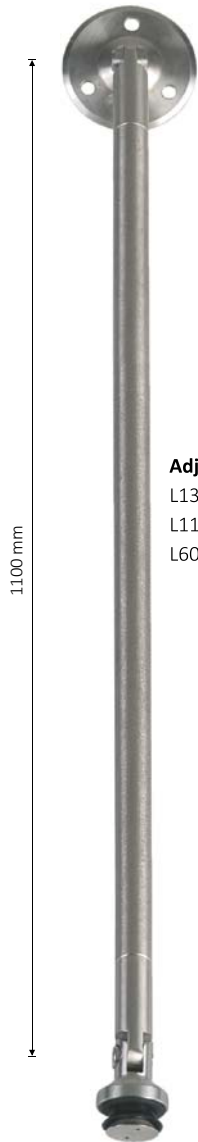
minox accessories



### 323

Single Glass-Wall Cone Bracket

● 3298 gr | Finishing .13 .14



**Adjustable length**

L1300 mm  
L1100 mm  
L600 mm

### 323.170

Single Glass-Wall Cone Bracket

L 170 mm

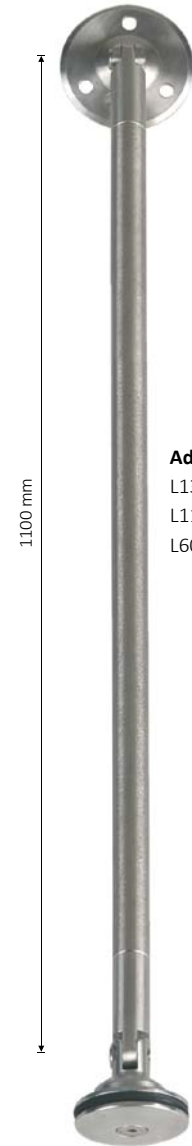
● 998 gr | Finishing .13 .14



### 324

Single Glass-Wall Ø60 Bracket

● 3347 gr | Finishing .13 .14



**Adjustable length**

L1300 mm  
L1100 mm  
L600 mm

### 324.170

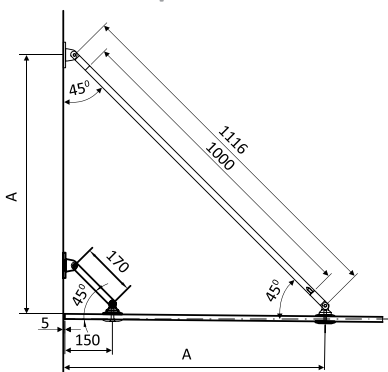
Single Glass-Wall Flat Ø60 Bracket

L 170 mm

● 1137 gr | Finishing .13 .14



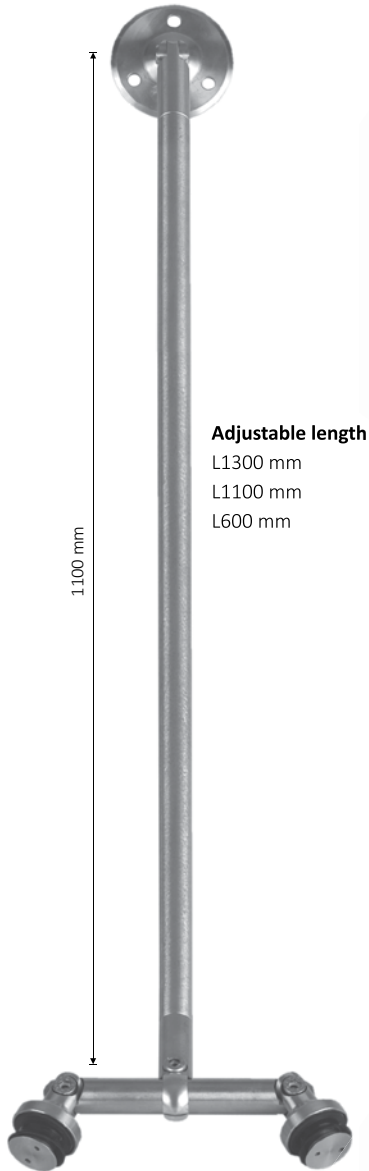
installation  
example



### 325

Double Glass-Wall Cone Bracket

⊙ 3298 gr | Finishing .13 .14



### 325.170

Double Glass-Wall Cone Bracket

L 170 mm

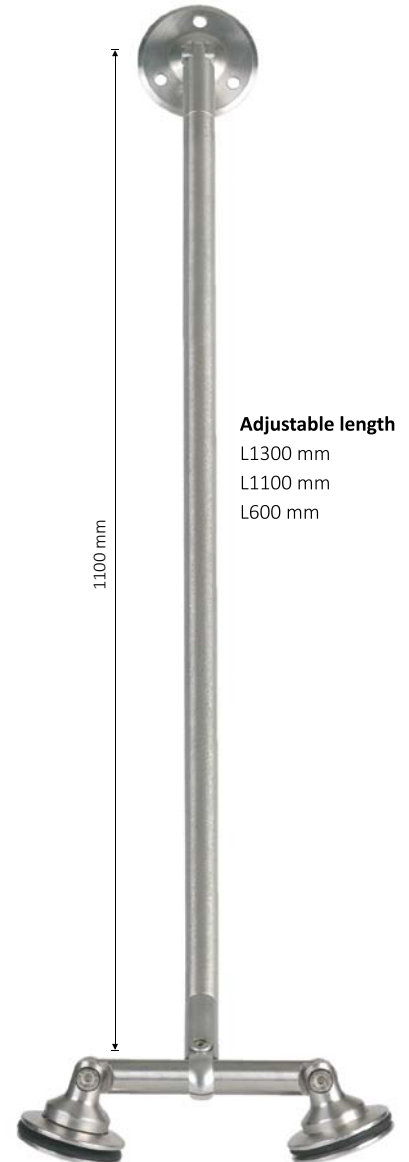
⊙ 1456 gr | Finishing .13 .14



### 326

Double Glass-Wall Ø60 Bracket

⊙ 3500 gr | Finishing .13 .14



### 326.170

Double Glass-Wall Flat Ø60 Bracket

L 170 mm

⊙ 1743 gr | Finishing .13 .14



*Special Dimension Upon Request*



### 321

Double Cone Bracket- Minox

● 526, 626, 726 gr | Finishing .13 .14



### 322

Double Bracket Ø60 Minox

● 813, 913, 1013 gr | Finishing .13 .14



### 330

Double Bracket Ø60 Minox

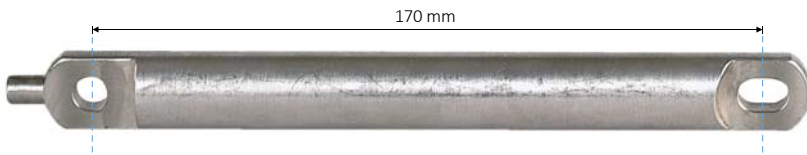
● 190, 290, 390 gr | Finishing .13 .14



### 334

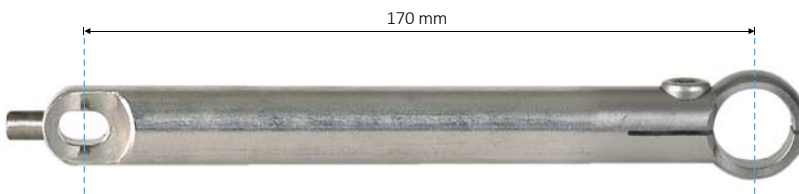
Additional Rod

● 240, 440, 2400 gr | Finishing .13 .14



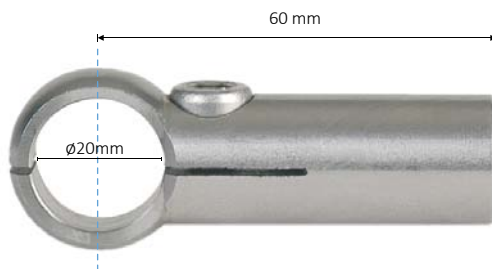
**331.170**

Single Bracket Rod  
● 407 gr | Finishing .13 .14



**336.170**

Rod for Double Bracket Ø60 Minox  
● 400 gr | Finishing .13 .14



**332.60**

Double End Rod  
● 109 gr | Finishing .13 .14

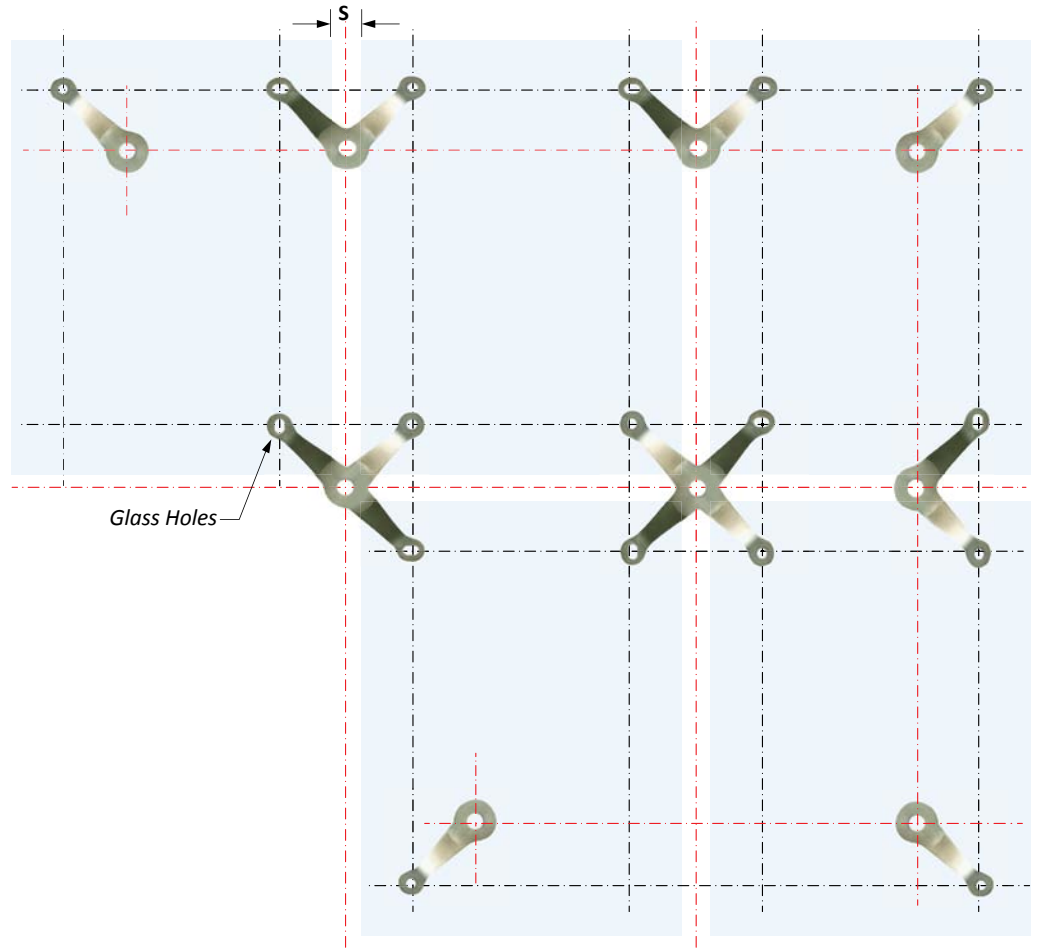


**333.60**

Single End Rod  
● 107 gr | Finishing .13 .14

# technical details

## glass cuttings



## measurement calculations

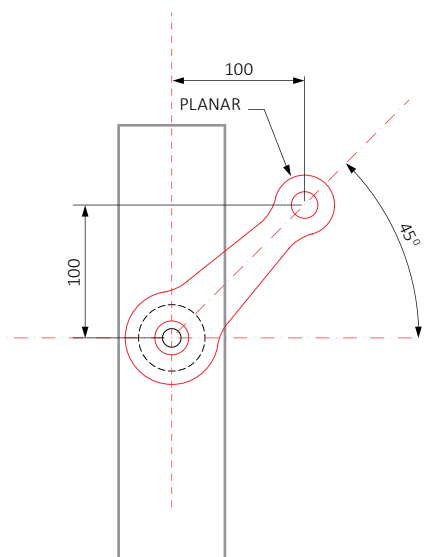
GAP  $S \approx$   
Glass Thickness

120/200



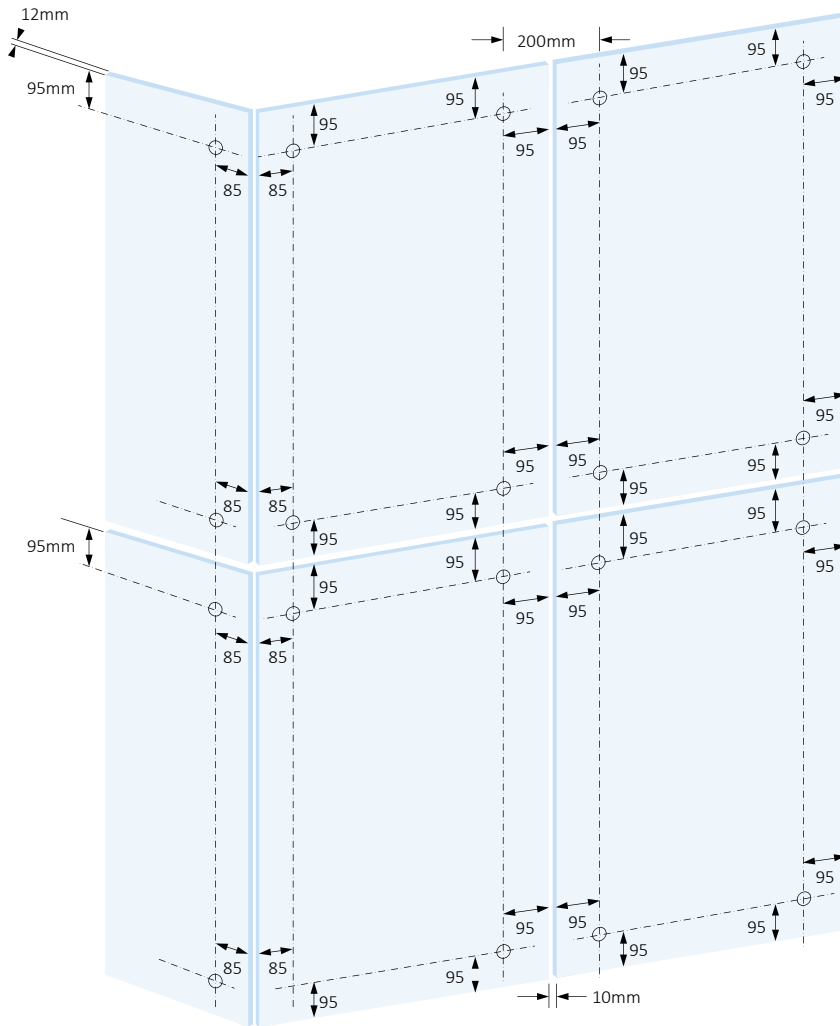
---  
Glass Holes

- - -  
Arms Central Support



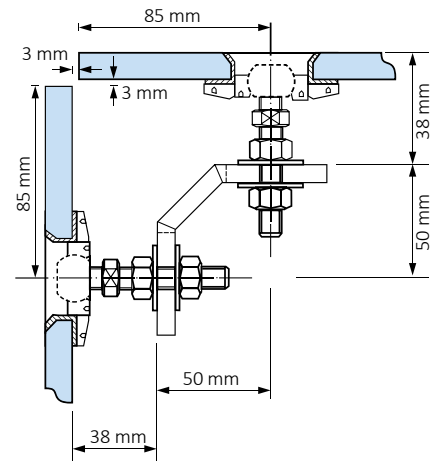
Dimensions mm

glass cutting



installation example

**305.50**  
with Articulated  
Cone Heads PLR  
313 or 319



page. 8

measurement calculations

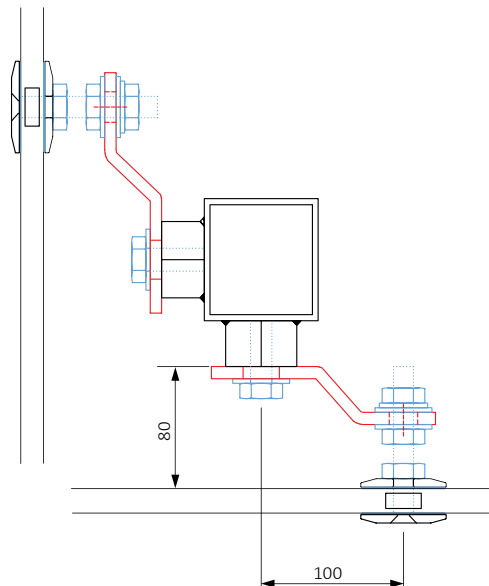
GAP  $S \approx$   
Glass Thickness

120/200



---  
Glass Holes

- - -  
Arms Central Support





# tools - accessories

## 380

Grover Stainless steel M8 to M16

Various Dimensions



## 381

Ring Stainless steel M8 to M16

Various Dimensions



## Anchors "Express"

M6 to M20



## Metal Anchors

M6 to M20



## 382

Screw Stainless steel

Various Dimensions



## 383

NUT M8- M16

Various Dimensions



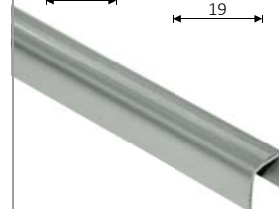
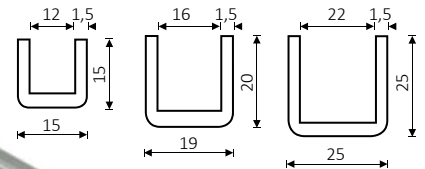
## 1692

Stainless steel Bar U

**1692.10** L2,50 m Glass 8-12 mm

**1692.16** L2,50 m Glass 14-16 mm

**1692.20** L2,50 m Glass 18-20 mm



## 384

Stainless steel Cup Nut

Various Dimensions



## 385

Stainless steel Rod 1M

Various Dimensions



## 1500

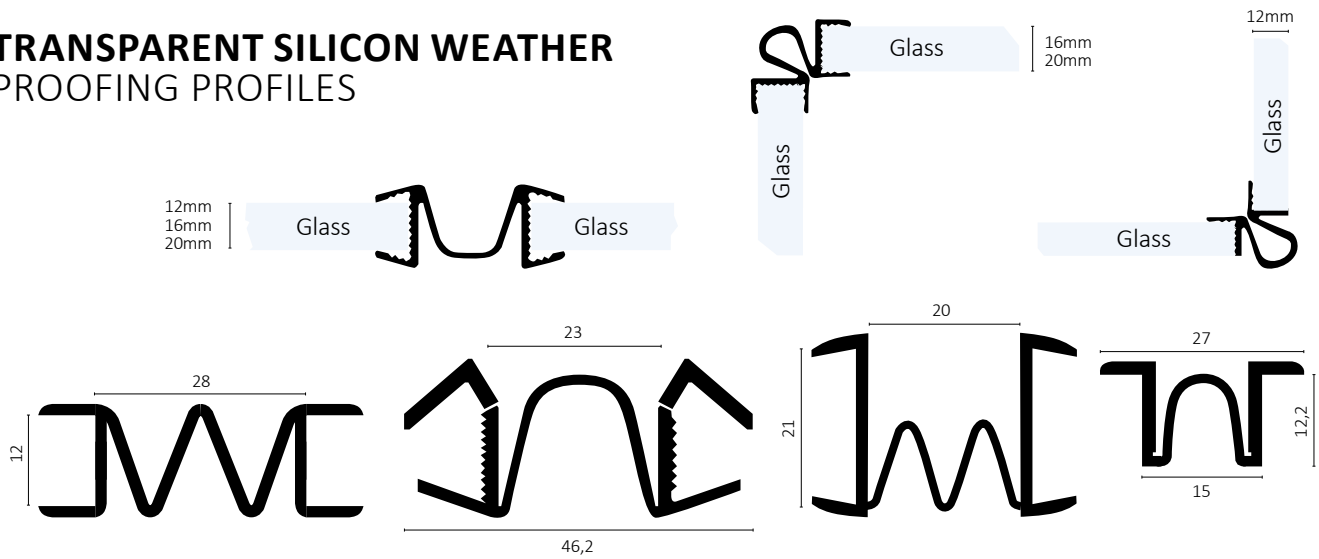
Chemical Resins



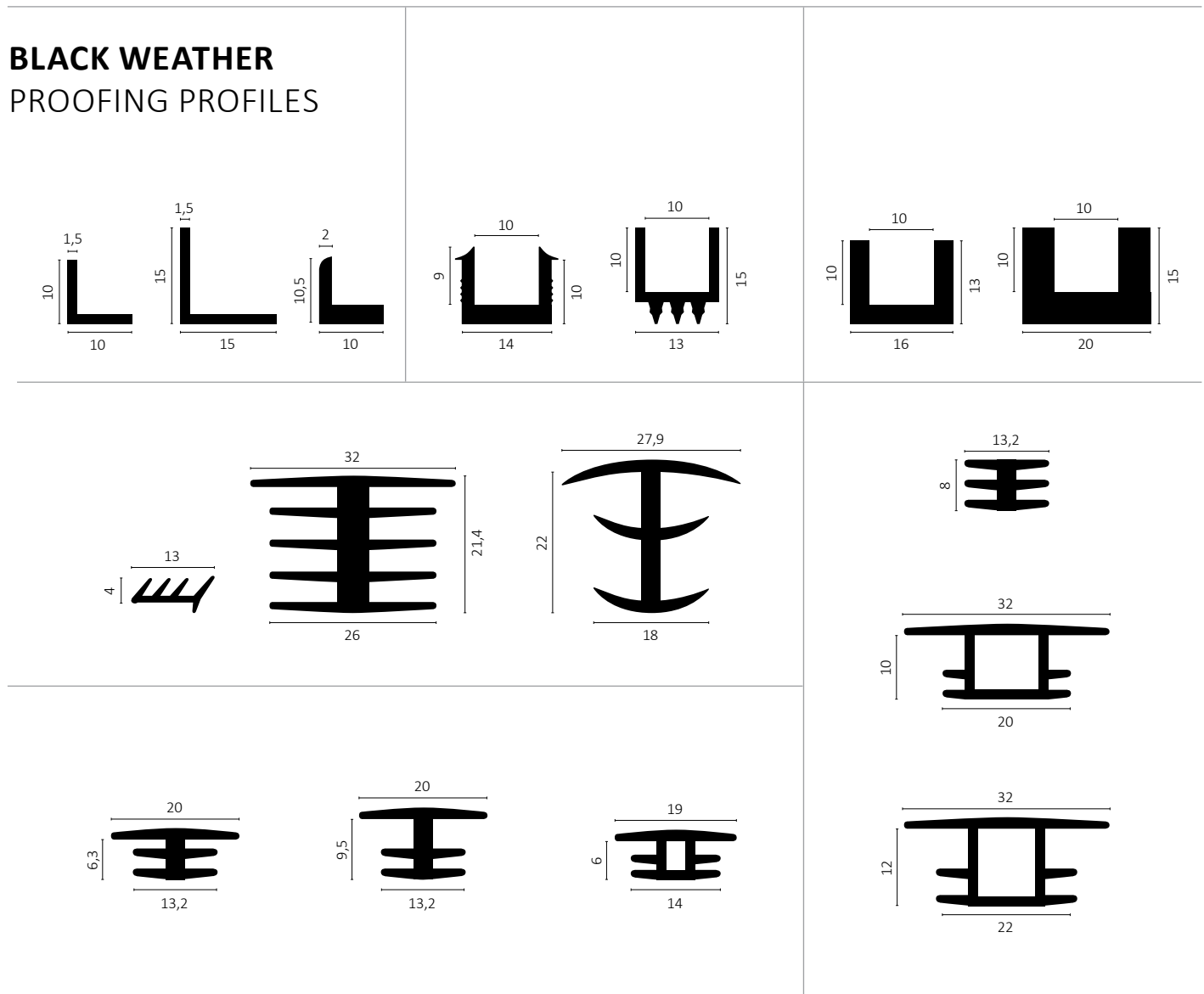
Dimensions mm

# weatherproofing

## TRANSPARENT SILICON WEATHER PROOFING PROFILES



## BLACK WEATHER PROOFING PROFILES





## HOW TO ORDER

0000.000.00  
PRODUCT NUMBER.DIMENSION.FINISHING

Dimensions are used for a limited range of products.  
Wherever there is no dimension the product number is followed by the finishing code.

## ACCESSORIES FINISHING

STAINLESS STEEL [SOLID]

- .13** POLISHED
- .14** SATIN
- CASTED**
- .23** POLISHED
- .24** SATIN

**AKAET** ΕΛΛΗΝΙΚΟ ΚΕΝΤΡΟ ΕΡΕΥΝΑΣ ΚΑΙ ΠΡΟΤΥΠΩΝ ΓΙΑ ΤΗΝ ΚΑΤΑΣΚΕΥΗ ΚΑΙ ΤΟΝ ΕΞΕΤΑΣΜΟ  
ΕΡΕΥΝΗΤΙΚΟ ΚΕΝΤΡΟ ΑΚΑΕΤ

Μεταλλογική & Μηχανολογική Τμήμα Έρευνας  
Μηχανολογικό Γραφείο Έρευνας

Report No: 1426288547  
Issue date: 13.07.20

Page 1 από 8

**TEST REPORTS**

Customer: INTERFERAL A&E  
Customer address: ΑΡΧΑΓΓΕΛΟΥ ΣΤΡΑΤΗΣ - ΑΘΗΝΑ  
Contract or test request registration number: INTERFERAL A&E 06.06.05  
Date of test specimen delivery to TRSD: 28.06.20  
Test performance order number: 1426

**CONTENTS**

- OBJECTS TO BE TESTED
- TESTS
- RESULTS
- APPENDIX

• Tests Research and Standards Center of PPC is responsible for the tests that have been performed on the particular specimen that have been obtained. Reported results are related only to these specimens specifically.  
• This report is issued by PPC, which has certification under ISO/IEC 17025:2005 for the reference quality system and is allowed to be published or reproduced in whole or in part, provided that the certification number and the name of the issuing organization are mentioned without a written permission from the Management of Tests Research and Standards Center of PPC.

**AKAET** ΕΛΛΗΝΙΚΟ ΚΕΝΤΡΟ ΕΡΕΥΝΑΣ ΚΑΙ ΠΡΟΤΥΠΩΝ ΓΙΑ ΤΗΝ ΚΑΤΑΣΚΕΥΗ ΚΑΙ ΤΟΝ ΕΞΕΤΑΣΜΟ  
ΕΡΕΥΝΗΤΙΚΟ ΚΕΝΤΡΟ ΑΚΑΕΤ

**AKAET** ΕΛΛΗΝΙΚΟ ΚΕΝΤΡΟ ΕΡΕΥΝΑΣ ΚΑΙ ΠΡΟΤΥΠΩΝ ΓΙΑ ΤΗΝ ΚΑΤΑΣΚΕΥΗ ΚΑΙ ΤΟΝ ΕΞΕΤΑΣΜΟ  
ΕΡΕΥΝΗΤΙΚΟ ΚΕΝΤΡΟ ΑΚΑΕΤ

Μεταλλογική & Μηχανολογική Τμήμα Έρευνας  
Μηχανολογικό Γραφείο Έρευνας

Report No: 1426288547  
Issue date: 13.07.20

Page 2 από 8

**1. OBJECTS TO BE TESTED**

- Description of objects to be tested: - Screws M14, M16, M18 and M20 - Single holding device planar - Screws M14 with suspension system.
- Date of delivery to the laboratory: 28.06.20
- Condition of objects to be tested on delivery: Brand new
- Supplier / Manufacturer: INTERFERAL A&E
- Codification / identification of objects to be tested: 1426.1 - 10

**2. TESTS**

- Type of tests: Tensile loading and compression test
- Specification / Standard: according to manufacturer written orders
- Date of tests performance: 13.07.20
- Responsible for the tests: M. FIKAS - Metallurgical Engineer
- Participants: D. PLAZOS, S. DIMAS

**2.0 Environmental conditions of test:**

Temperature: 25 °C  
Relative humidity: 65 %

**AKAET** ΕΛΛΗΝΙΚΟ ΚΕΝΤΡΟ ΕΡΕΥΝΑΣ ΚΑΙ ΠΡΟΤΥΠΩΝ ΓΙΑ ΤΗΝ ΚΑΤΑΣΚΕΥΗ ΚΑΙ ΤΟΝ ΕΞΕΤΑΣΜΟ  
ΕΡΕΥΝΗΤΙΚΟ ΚΕΝΤΡΟ ΑΚΑΕΤ

**AKAET** ΕΛΛΗΝΙΚΟ ΚΕΝΤΡΟ ΕΡΕΥΝΑΣ ΚΑΙ ΠΡΟΤΥΠΩΝ ΓΙΑ ΤΗΝ ΚΑΤΑΣΚΕΥΗ ΚΑΙ ΤΟΝ ΕΞΕΤΑΣΜΟ  
ΕΡΕΥΝΗΤΙΚΟ ΚΕΝΤΡΟ ΑΚΑΕΤ

Μεταλλογική & Μηχανολογική Τμήμα Έρευνας  
Μηχανολογικό Γραφείο Έρευνας

Report No: 1426288547  
Issue date: 13.07.20

Page 3 από 8

**2.1 Measuring instruments:**

DESCRIPTION	PPC Reg. No.
1. Tensile - Compression Strength Machine Galdabini 50 T	OCM 0011888
2. Digital caliper PECA 0.1-100 mm	KAY 0002
3. Temperature - humidity control system with air condition AIR COOL, 8000 BTU and humidity controller	EAH 000
4. Temperature - humidity measuring device	EA1504

**2.2 Compression test procedure in single holding device planar:**

The samples were secured to their big base and compressed with steady speed load and diagrams of their performance were taken from the tensile-compression machine Galdabini 50 T.

**2.3 Tensile test procedure in screws M14 with suspension system:**

The samples of screws, test with the suspension system, were put in horizontal tensile test and the holding test was written down.

**2.10 Bending test procedure in screws M14, M16, M18 and M20:**

Four samples of screws of each diameter were secured to 25 mm high in a right angle device and then were tested with four different distances of bending, according to schedule 1 of appendix.

**AKAET** ΕΛΛΗΝΙΚΟ ΚΕΝΤΡΟ ΕΡΕΥΝΑΣ ΚΑΙ ΠΡΟΤΥΠΩΝ ΓΙΑ ΤΗΝ ΚΑΤΑΣΚΕΥΗ ΚΑΙ ΤΟΝ ΕΞΕΤΑΣΜΟ  
ΕΡΕΥΝΗΤΙΚΟ ΚΕΝΤΡΟ ΑΚΑΕΤ

**AKAET** ΕΛΛΗΝΙΚΟ ΚΕΝΤΡΟ ΕΡΕΥΝΑΣ ΚΑΙ ΠΡΟΤΥΠΩΝ ΓΙΑ ΤΗΝ ΚΑΤΑΣΚΕΥΗ ΚΑΙ ΤΟΝ ΕΞΕΤΑΣΜΟ  
ΕΡΕΥΝΗΤΙΚΟ ΚΕΝΤΡΟ ΑΚΑΕΤ

Μεταλλογική & Μηχανολογική Τμήμα Έρευνας  
Μηχανολογικό Γραφείο Έρευνας

Report No: 1426288547  
Issue date: 13.07.20

Page 4 από 8

**3. RESULTS**

**3.1 COMPRESSION TEST RESULTS IN SINGLE HOLDING DEVICES PLANAR:**

The compression diagrams (stress - deformation) are given in appendix (diagrams 1 and 2). The maximum force is 4.200 N in sample one and 4.402 N in sample two.

**3.2 TENSILE TEST RESULTS IN SCREWS M14 WITH THEIR SUSPENSION SYSTEM:**

SAMPLE NUMBER	1	2
Breaking - falling load (N)	21622	20935
Remarks	Falling of coil of screw supporting screw of suspension system	Falling of coil of screw supporting screw of suspension system

(Diagrams 3 and 4)

**3.3 BENDING TEST RESULTS IN SCREWS M14, M16, M18 AND M20:**

The bending diagrams according to bending distance (stress vs. force) are given in appendix (diagrams 5 to 8).

Responsible of test	Responsible of Laboratory	Head of section
Name: M. FIKAS	M. FIKAS	G. TSANAKAS
Signature:		

**AKAET** ΕΛΛΗΝΙΚΟ ΚΕΝΤΡΟ ΕΡΕΥΝΑΣ ΚΑΙ ΠΡΟΤΥΠΩΝ ΓΙΑ ΤΗΝ ΚΑΤΑΣΚΕΥΗ ΚΑΙ ΤΟΝ ΕΞΕΤΑΣΜΟ  
ΕΡΕΥΝΗΤΙΚΟ ΚΕΝΤΡΟ ΑΚΑΕΤ

C E R T I F I C A T I O N S

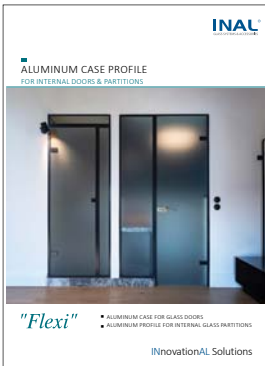
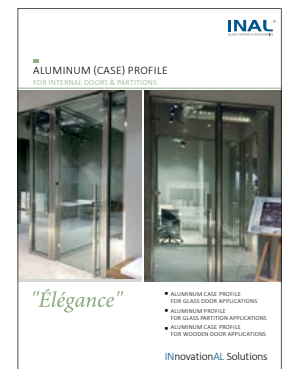
# FACADES & CANOPIES

## PLANISPHERE® & MINOX SYSTEMS

**INAL**<sup>®</sup>  
GLASS SYSTEMS & ACCESSORIES



### ALSO DOWNLOAD OUR PRODUCT CATALOGUES



# INnovationAL Solutions

**INTERMETAL**  
BUILDING INDUSTRIAL EQUIPMENT

### HEADQUARTERS / FACTORY:

6, APOLLONIOU STR., KOROPI 194 00, ATTICA-GREECE,  
TEL.: +30 210 6620 400, FAX: +30 210 6620 401  
[intermetal@inal.gr](mailto:intermetal@inal.gr)



ISO 9001 : 2015  
CERTIFIED

[www.inal.gr](http://www.inal.gr)

[f Inal.gr](https://www.facebook.com/Inal.gr)

[in company/intermetal-sa](https://www.linkedin.com/company/intermetal-sa)