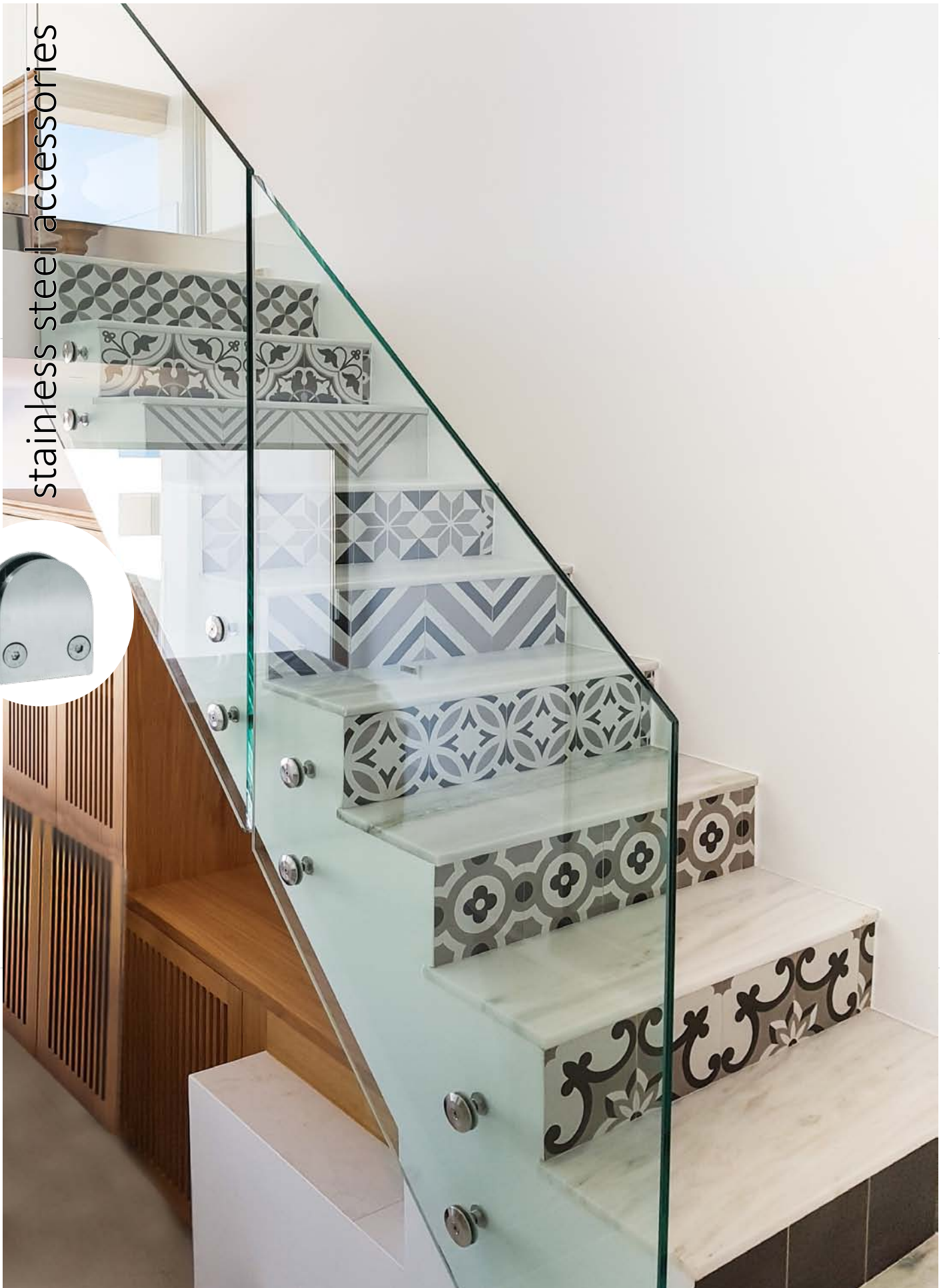


■
ACCESSORIES FOR BALUSTRADES
STAINLESS STEEL

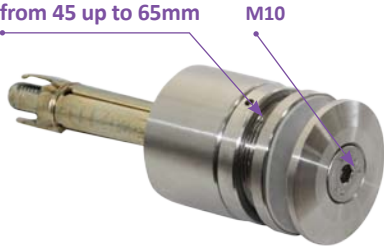


stainless steel accessories



885.45 ADJUSTABLE

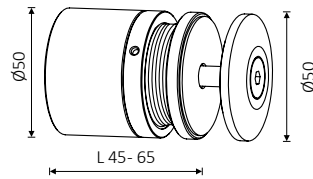
Adjustment
from 45 up to 65mm



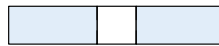
Adjustable Glass Spacer, Stainless steel,
Metal Anchor M12, Screw M12x90

AISI 316 589 gr | Finishing .13 .14

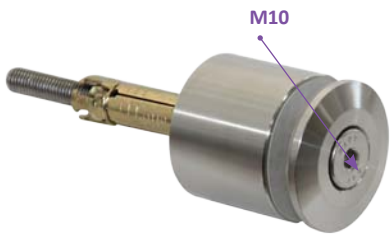
Available for Glass 8-20mm



Ø20- Ø25

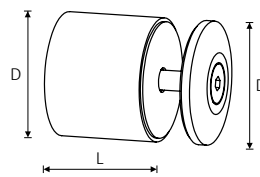


884.40/50 FIXED



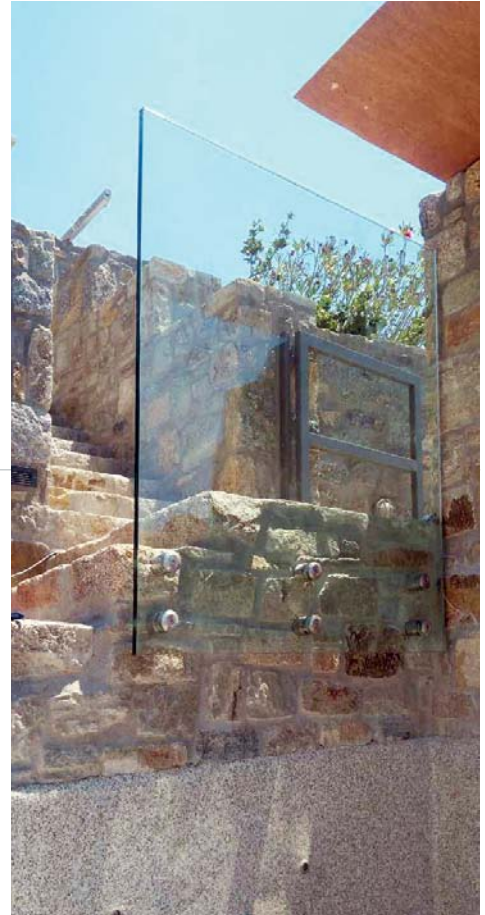
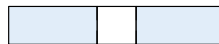
Fixed Spacer for 8-20mm Glass, Stainless Steel

AISI 316 AISI 304 683 gr | Finishing .13 .14



CODE	D	L
884.30/40	40	30
884.30/50	50	30
884.40/40	40	40
884.40/50	50	40

Ø20- Ø25

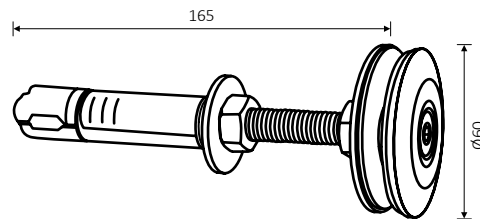


311.M12



Adjustable Anchor Head M12x165 mm

AISI 304 416 gr | Finishing .13 .14



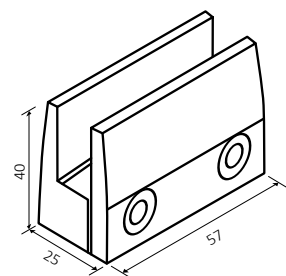
850



Wall-Shelf Support
Stainless Steel

AISI 316 Finishing .13 .14

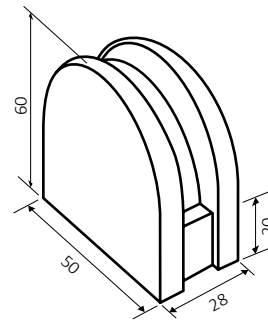
CODE	GLASS	WEIGHT
850.10	8-10mm	195gr
850.15	12-16mm	220gr
850.20	18-20mm	257gr



410 (STAINLESS STEEL)



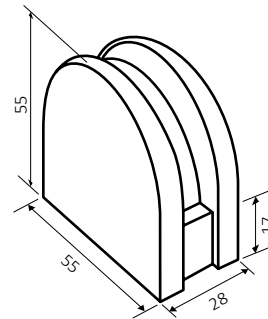
STOPPER



Clamp with flat base adjustable thickness
8mm~13mm, Removable Stopper

AISI 316 247 gr | Finishing .13 .14

410 (ZINC ALLOY)



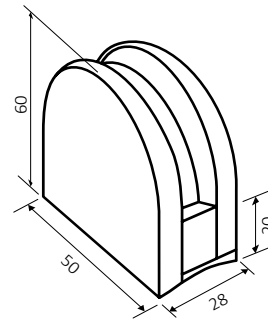
Clamp with flat base for 10mm Glass

170 gr | Finishing .15 .16

411 (STAINLESS STEEL)



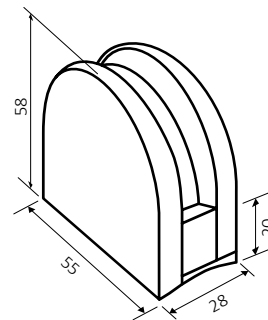
STOPPER



Clamp with curved base $\varnothing 50 \sim \varnothing 70$, thickness
8mm~13mm, removable Stopper

AISI 316 238 gr | Finishing .13 .14

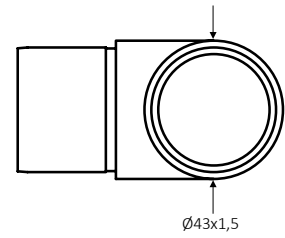
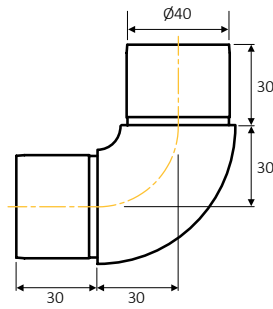
411 (ZINC ALLOY)



Clamp with curved base $\varnothing 50$ for 10mm Glass

179 gr | Finishing .15 .16

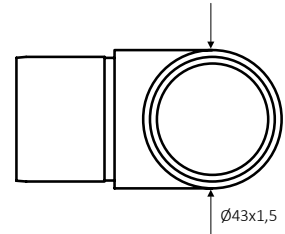
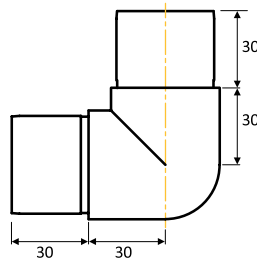
3001



90° Elbow Radiused, $\varnothing 43 \times 1,5$

AISI 316 236 gr | Finishing .13 .14

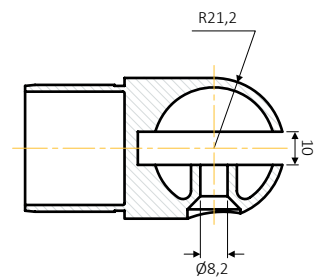
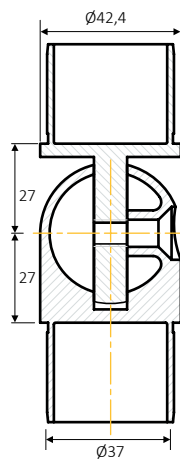
3003



90° Elbow Angle, $\varnothing 43 \times 1,5$

AISI 316 240 gr | Finishing .13 .14

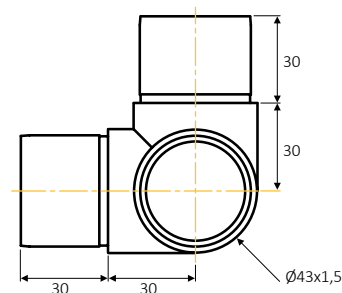
3004



Adjustable angle for tube $\varnothing 42 \times 2,6 / \varnothing 43 \times 1,5$

AISI 316 514 gr | Finishing .13 .14

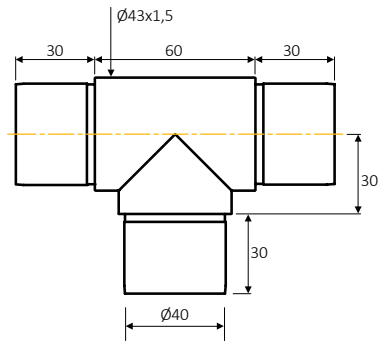
3005



90° T-Shape Connector, $\varnothing 43 \times 1,5$

AISI 316 332 gr | Finishing .13 .14

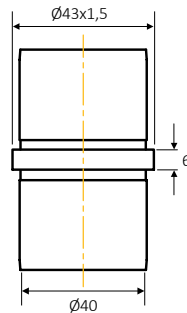
3006



90° T-Shape Connector, Ø43x1,5

AISI 316 326 gr | Finishing .13 .14

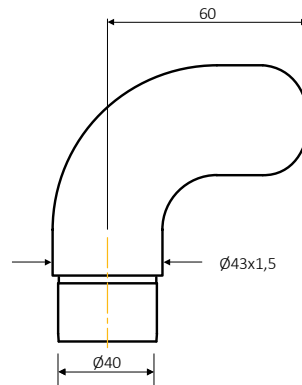
3007



Tube Connector, Ø43x1,5

AISI 316 122 gr | Finishing .13 .14

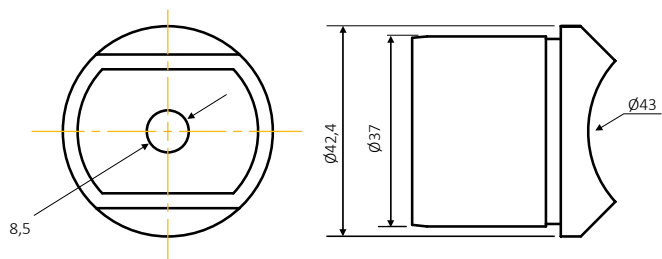
3008



Handrail End Ø43x1,5

AISI 316 352 gr | Finishing .13 .14

3009



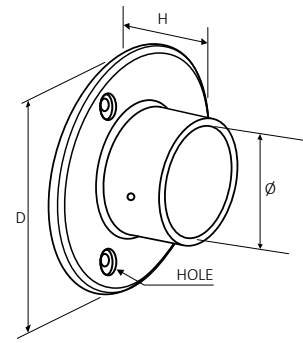
Adapter For Post Tube Ø42,4x2,5-Tube Handrail Ø43x1,5

AISI 316 102 gr | Finishing .13 .14

3011



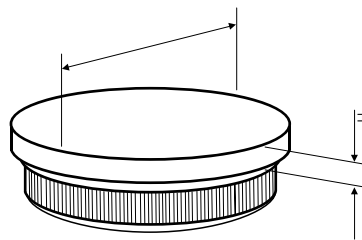
Ø43	D85	H25	3 HOLES Ø5,7
Ø50,8	D102	H32	3 HOLES Ø8



Round Flange

AISI 316 260 gr | Finishing .13 .14

3015



Ø42,4 x 2,6	H4
Ø50,8 x 1,5	H2,2
Ø60,3 x 1,5	H2,2
Ø80,0 x 1,5	H2,2

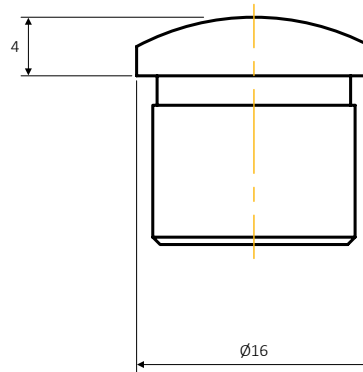
Flat End Cap

AISI 316 24 gr | Finishing .13 .14



3015
Curved End Cap Ø43x1,5

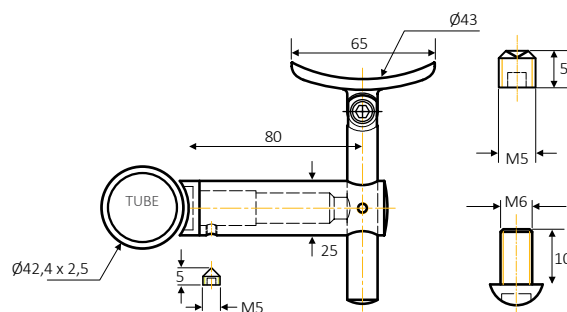
3015.61610.13



Curved End Cap Ø16x1

AISI 316 19 gr | Finishing .13 .14

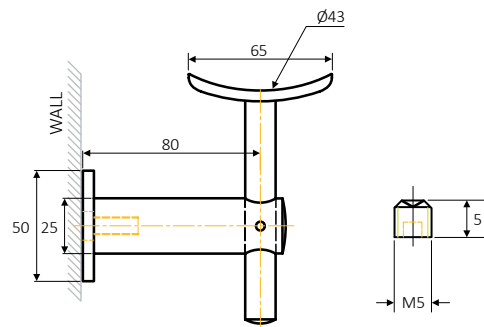
3017



Adjustable Adapter Handrail
Tube Ø43x1,5-Post Tube Ø42,4x2,5

AISI 316 402 gr | Finishing .13 .14

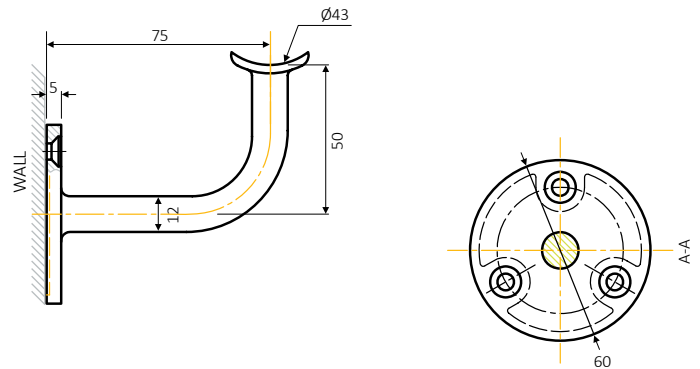
3018



Adjustable Adapter Wall-Handrail Tube Ø43x1,5
Thickness : 5 mm

AISI 316 462 gr | Finishing .13 .14

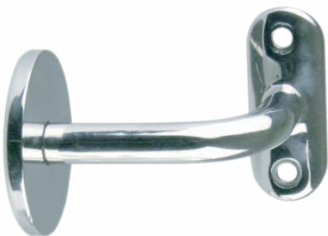
3019



Handrail Tube Ø43x1,5 Support For Wall

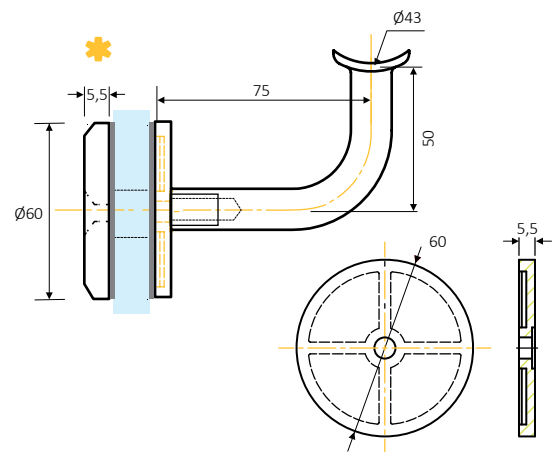
AISI 316 224 gr | Finishing .13 .14

3020



310.60.MF.C1.14

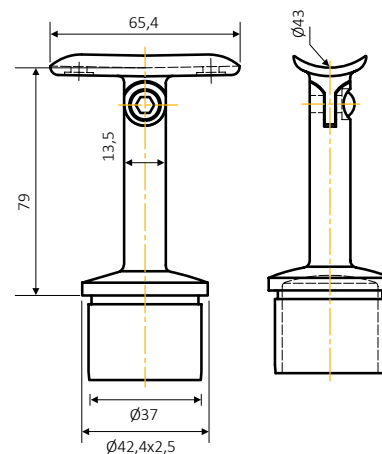
Washer Ø60mm with Cone M8
Stainless steel Satin
Finishing .13



Handrail Support Ø43

AISI 316 250 gr | Finishing .13 .14

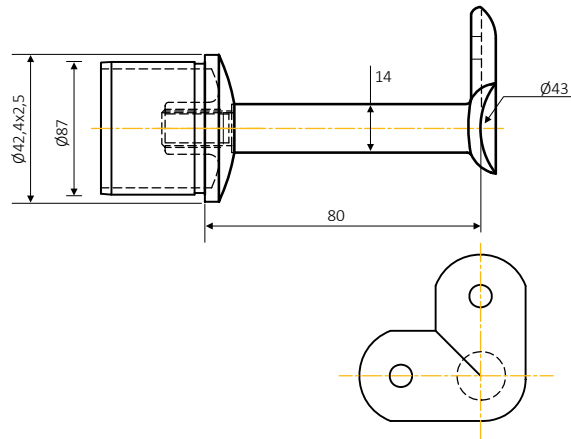
3021



Adjustable Connector Post Tube
Ø42,4 x 2,5- Handrail Tube Ø43x1,5

AISI 316 208 gr | Finishing .13 .14

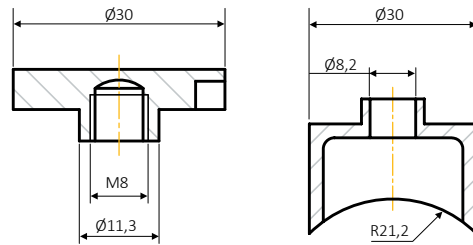
3022



Connector 90° Post Tube
 $\varnothing 42,4 \times 2,5$ Handrail Tube $\varnothing 43 \times 1,5$

AISI 316 230 gr | Finishing .13 .14

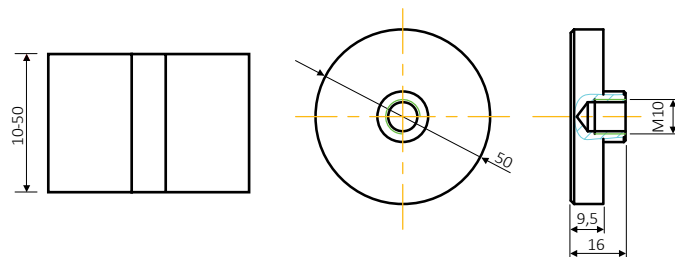
3025



Glass Holder 30mm for Post Tube $\varnothing 42,4$

AISI 316 89 gr | Finishing .13 .14

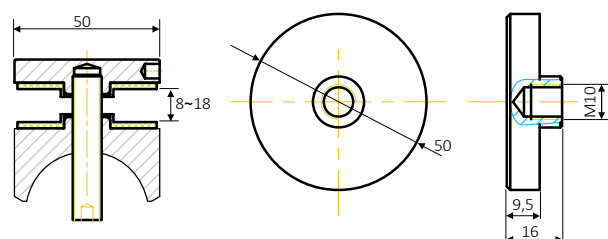
3026



Flat Glass Holder 50mm

AISI 316 315 gr | Finishing .13 .14

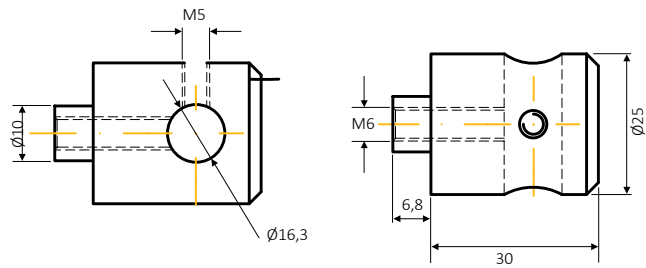
3027



Glass Holder 50mm for Post Tube $\varnothing 42,4$

AISI 316 295 gr | Finishing .13 .14

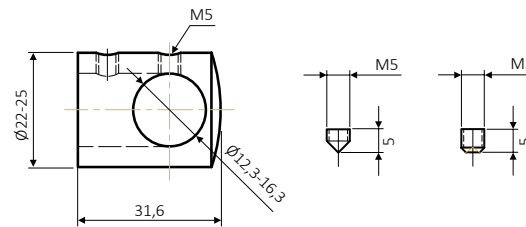
3029



Flat Bar Holder (Ø16) for Glass

AISI 316 97 gr | Finishing .13 .14

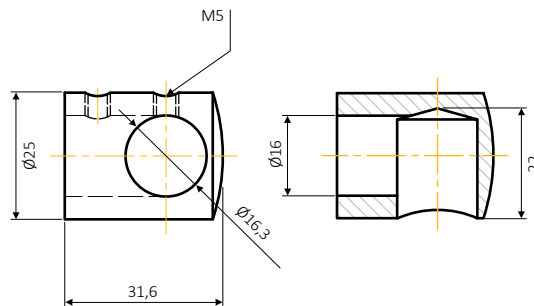
3030



Bar Holder (Ø12-Ø16) for Tube Ø42,4x2,5

AISI 316 54 gr | Finishing .13 .14

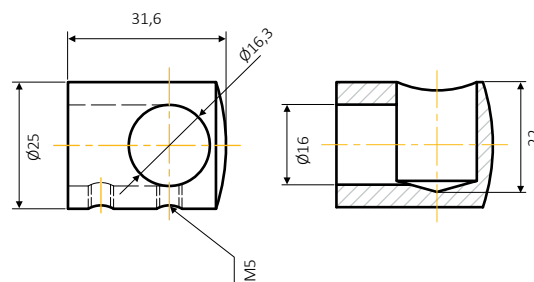
3031



Left Blind Bar Holder Ø16,3 for Tube Ø42,4x2,5

AISI 316 89 gr | Finishing .13 .14

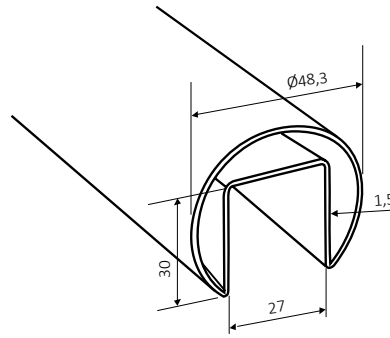
3032



Right Blind Bar Holder Ø16 for Tube Ø42,4x2,5

AISI 316 89 gr | Finishing .13 .14

3033



Slot Tube «Ω»

AISI 304 ● 2100 gr | Finishing .13 .14

3034

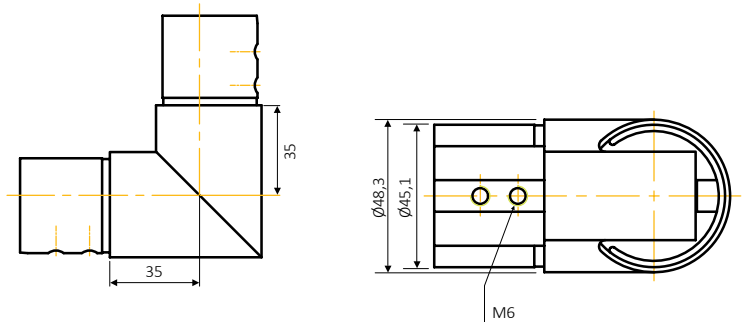


CODE	GLASS
3034.4812A	10-12mm
3034.4818A	16-18mm
3034.4822A	20-22mm

Rubber For Slot Tube «Ω» Ø48x1,5

● 90/46 gr/m | Finishing .13 .14

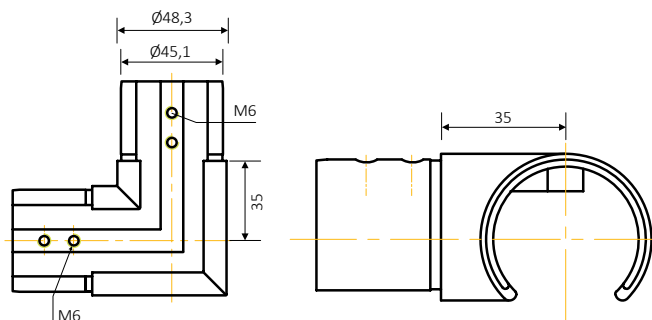
3035



90° Angle Vertical Connector for Slot Tube
Ø48,3x1,5

AISI 316 ● 400 gr | Finishing .13 .14

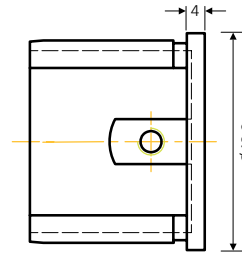
3036



90° Angle Horizontal Connector for Slot Tube
Ø48,3x1,5

AISI 316 ● 402 gr | Finishing .13 .14

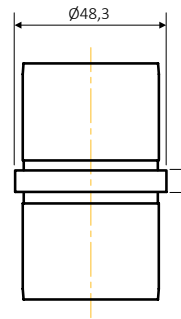
3037



Flat End Cap For Slot Tube Ø48, 3x1,5

AISI 316 110 gr | Finishing .13 .14

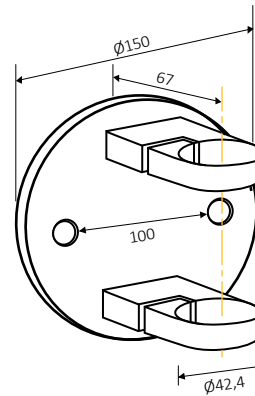
3038



Tube Connector For Slot Tube Ø48,3x1,5

AISI 316 182 gr | Finishing .13 .14

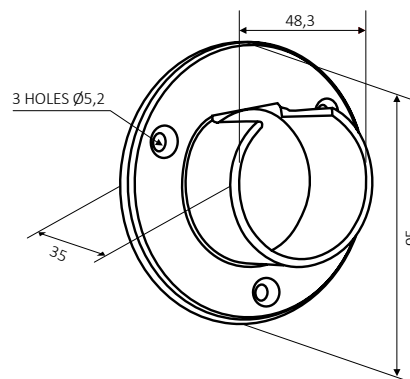
3039



Round Wall Bracket For Post Tube Ø42,4

AISI 316 1070 gr | Finishing .13 .14

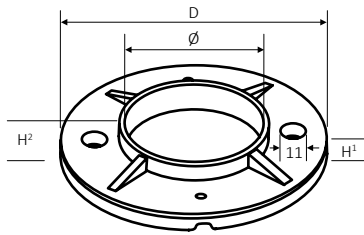
3041



Round Base For Slot Tube Ø48,3x1,5

AISI 316 246 gr | Finishing .13 .14

3042 (CASTED)

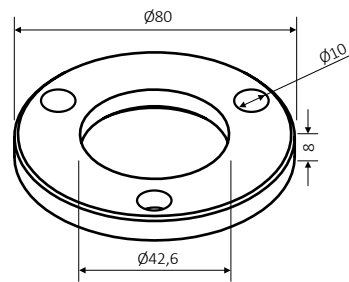


Post Base Plate

AISI 316 Finishing .13 .14

CODE	POST TUBE	Ø	D	H¹	H²	WEIGHT
3042	Ø42,4	42,6	100	8	16	250 gr
	Ø50,8	51,2	100	8	16	300 gr
	Ø60,3	60,6	120	8	16	340 gr
	Ø80,0	80,5	140	10	22	612 gr

3042 (SOLID)

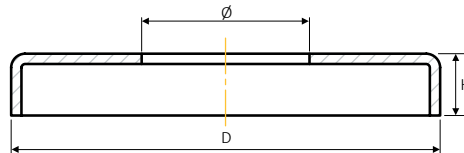


Post Base Plate

AISI 316 Finishing .13 .14

POST TUBE	Ø	D	H¹
Ø42,4	42	80	8

3012

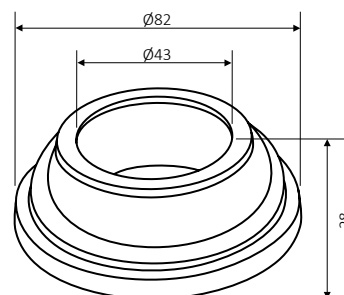


Cover Plate

AISI 316 Finishing .13 .14

CODE	POST TUBE	Ø	D	H	WEIGHT
3012	Ø42,4	42,6	85	18	62 gr
	Ø42,4	42,8	105	18	80 gr
	Ø50,8	51,2	110	20	132 gr
	Ø60,3	60,6	125	18	156 gr
	Ø80,0	80,5	145	29	228 gr

3045



Round Base With Cover Plate for Tube Ø43

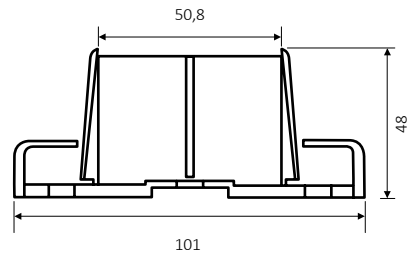
AISI 316 255 gr | Finishing .13 .14

3046



Round Adjustable Heavy Duty Base Plate
For Tube $\varnothing 50,8$

AISI 316 528 gr | Finishing .13 .14

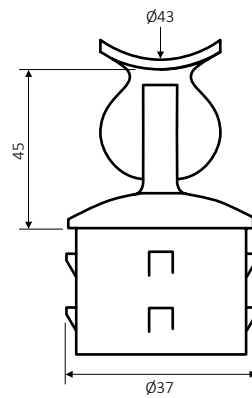


3047



Adjustable Connector Post Tube $\varnothing 42,4 \times 2,5$ Handrail Tube $\varnothing 43 \times 1,5$

AISI 316 198 gr | Finishing .13 .14

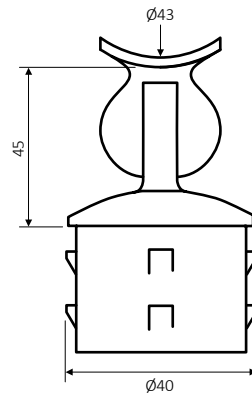


3047



Adjustable Connector Post Tube $\varnothing 43 \times 1,5$ Handrail Tube $\varnothing 43 \times 1,5$

AISI 316 198 gr | Finishing .13 .14

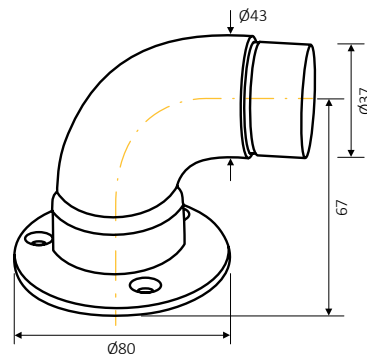


3049



90° Curved End Handrail Tube $\varnothing 43 \times 1,5$

AISI 316 375 gr | Finishing .13 .14

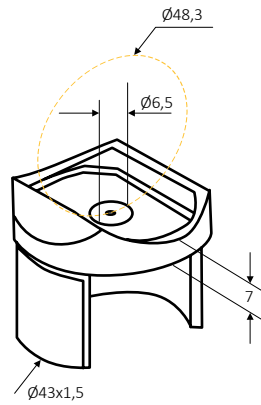


3050



Connector Tube $\varnothing 43 \times 1,5$ Handrail Tube $\varnothing 48,3 \times 1,5$

AISI 316 112 gr | Finishing .13 .14

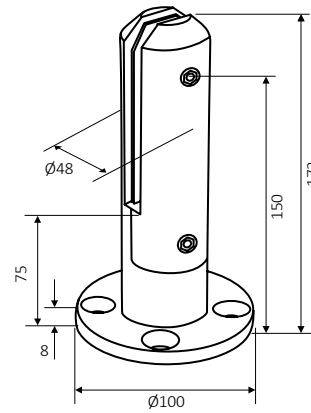


3051



Round Spigot With Base Plate for Glass 10-12mm

AISI 316 2.256 gr | Finishing .13 .14

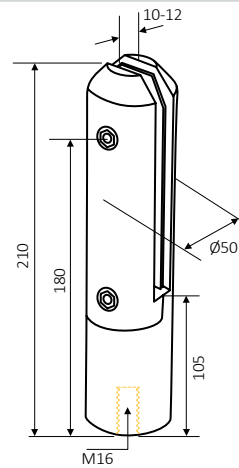


3052



Round Spigot for Glass 10-12mm

AISI 316 2.738 gr | Finishing .13 .14

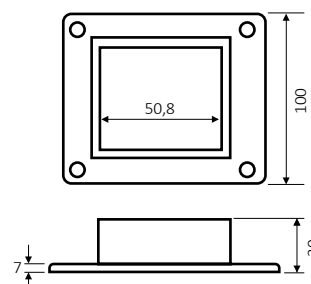


3053



Square Base for Post 50x50

AISI 316 444 gr | Finishing .13 .14

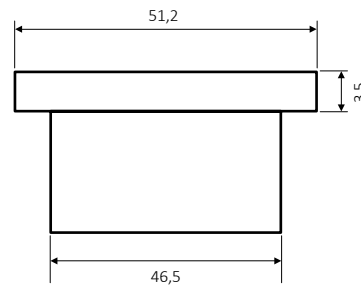


3054



Square Flat End Cap
for Post 50x50x1,5

AISI 316 240 gr | Finishing .13 .14

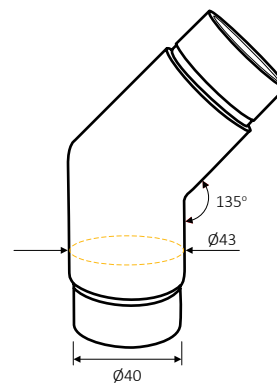


3055



Flush Joiner 135° Handrail Tube $\varnothing 43 \times 1,5$

AISI 316 273 gr | Finishing .13 .14

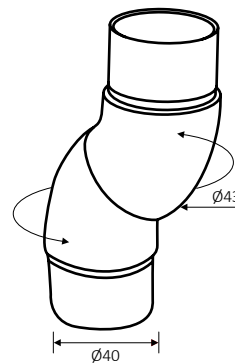


3056



Flush Joiner "Rotatable" Radiused Handrail Tube $\varnothing 43 \times 1,5$

AISI 316 367 gr | Finishing .13 .14

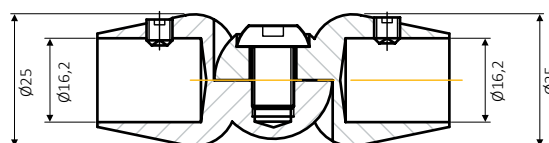


3056.61610



Adjustable Handrail
Connector for Tube $\varnothing 16$

AISI 316 126 gr | Finishing .13 .14

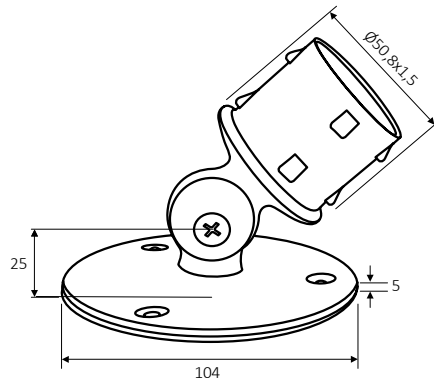


3057.65015



Adjustable Rail Support Round Base, Internal Fit" for Tube $\varnothing 50,8 \times 1,5$

AISI 316 432 gr | Finishing .13 .14

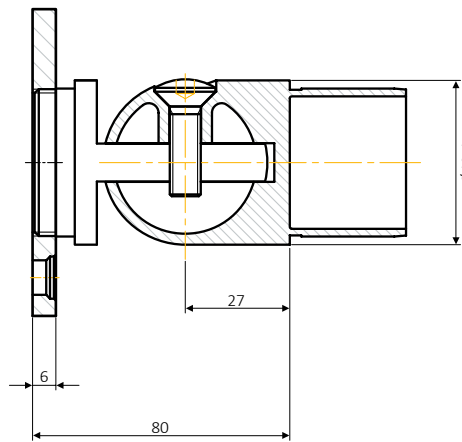


3057.64226



Adjustable Angle for Tube $\varnothing 42 \times 2,6$

AISI 316 678 gr | Finishing .13 .14

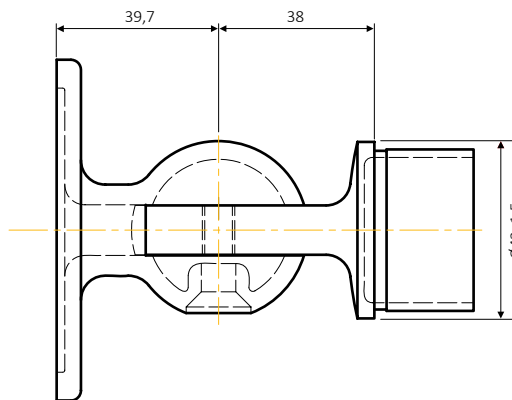


3057.64315



Adjustable Angle for Tube $\varnothing 43 \times 1,5$

AISI 316 613 gr | Finishing .13 .14

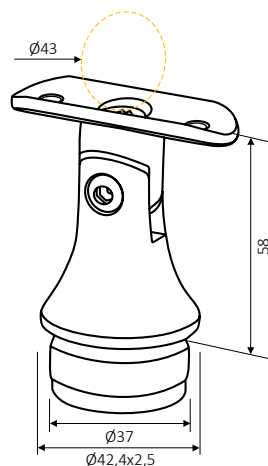


3058



Adjustable Connector Post Tube $\varnothing 42,4 \times 2,5$
Handrail Tube $\varnothing 43 \times 1,5$

AISI 316 224 gr | Finishing .13 .14

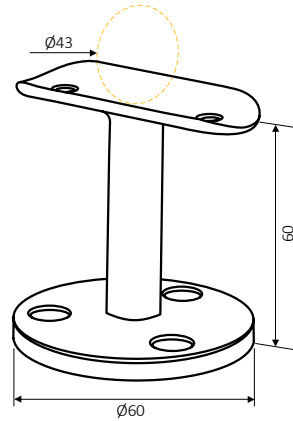


3059

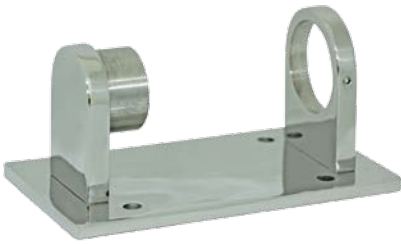


Handrail Flange Support for Tube $\varnothing 43$

AISI 316 191 gr | Finishing .13 .14

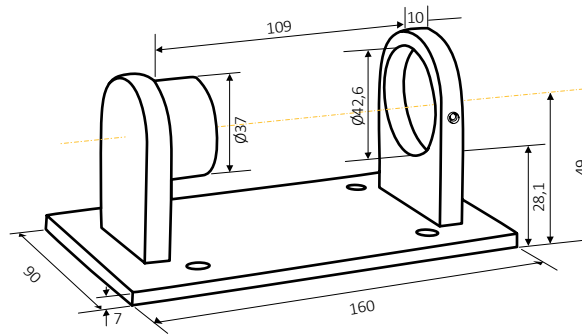


3060



Wall Bracket for Post Tube $\varnothing 42,4 \times 2,5$

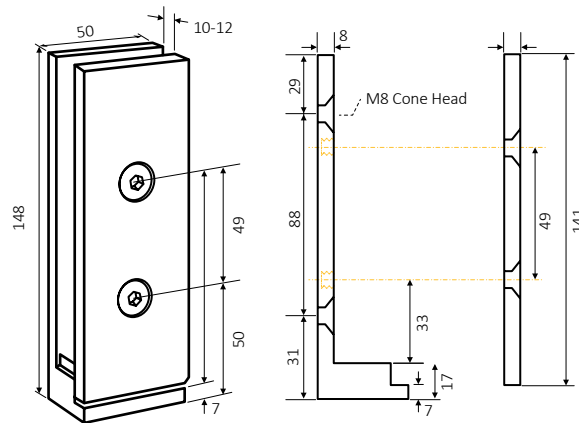
AISI 316 897 gr | Finishing .13 .14



3061

Square Spigot for Glass 10-12 mm

AISI 316 1.103 gr | Finishing .13 .14



1627



Stainless Steel Rings
Thickness : 10 mm

Finishing .13 .14

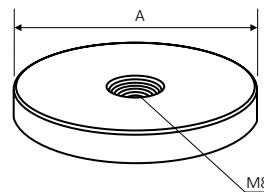


TABLE FEET 1627
with Tube $\varnothing 60$

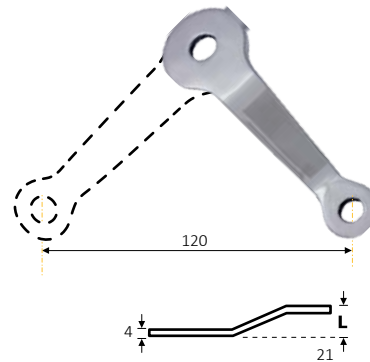
CODE	WEIGHT
1627.50.14	152 gr
1627.60.14	212 gr
1627.80.14	382 gr
1627.100.14	612 gr

301.12



Single Planar- Thickness: 4 mm

AISI 304 ● 61 gr | Finishing .13 .14

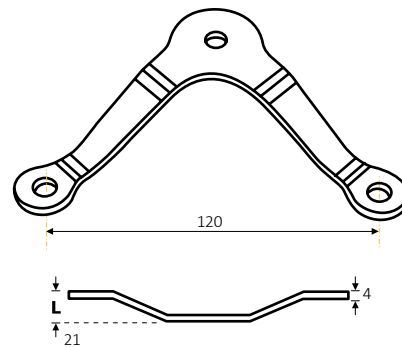


302.12



Double Planar - Thickness: 4 mm

AISI 304 ● 104 gr | Finishing .13 .14

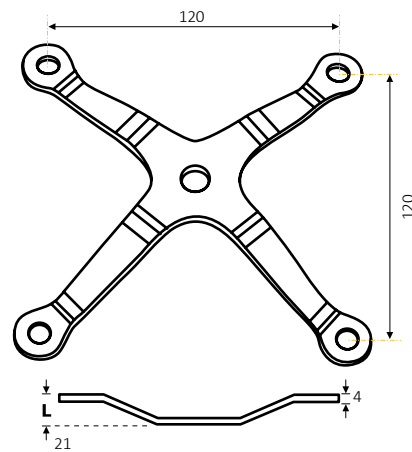


304.12



Fourfold Planar - Thickness: 4 mm

AISI 304 ● 166 gr | Finishing .13 .14

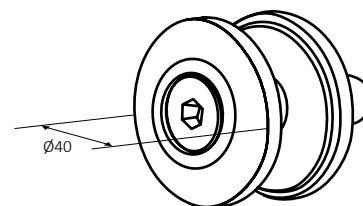


311-M8

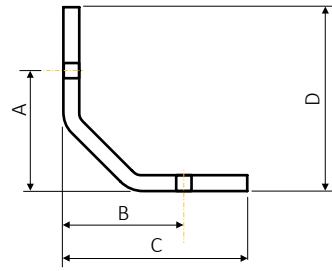


Fixed Head Ø40-M8

AISI 304 ● 105 gr | Finishing .13 .14



305

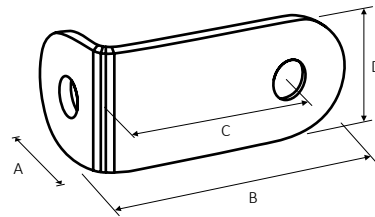


90° Angle Support Solid
Thickness : 5 mm

AISI 304 Finishing .13 .14

CODE	A	B	C	D	WEIGHT
305.40	38 mm	38 mm	58 mm	58 mm	126 gr
305.50	50 mm	50 mm	75 mm	75 mm	206 gr

306

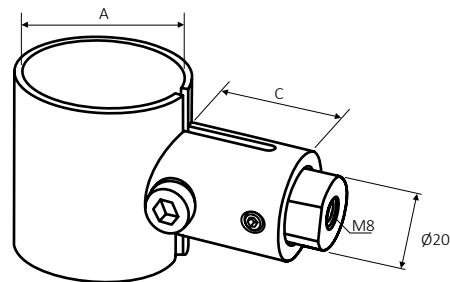


Angle Support G-W Solid
Thickness : 5 mm

AISI 304 Finishing .13 .14

CODE	A	B	C	D	WEIGHT
306.40	40 mm	85 mm	65 mm	40 mm	180 gr
306.50	50 mm	110 mm	85 mm	50 mm	254 gr

309

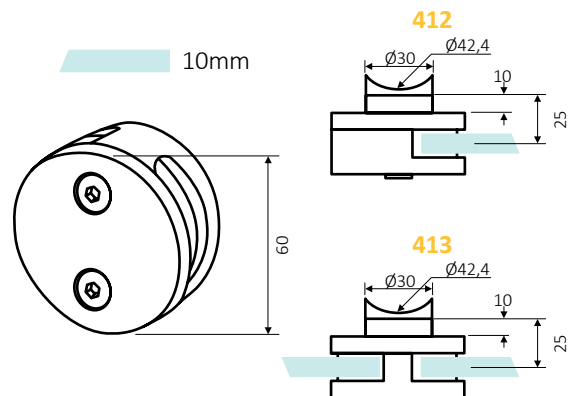


4Way Adjustable Tube Connector

AISI 304 360 gr | Finishing .13 .14

A	42,4	50,8	60,3	80,0
B	40,0	50,0	60,0	80,0

412-413



Round Clamp Stainless Steel, AISI 316, Ø60mm, for tube Ø42,4mm

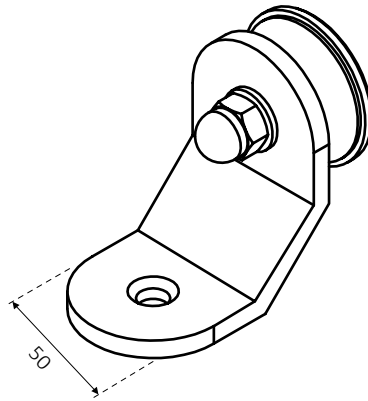
AISI 316 412 366 gr, 413 398 gr | Finishing .13 .14

361.50



Angle Support G-W Ø50

AISI 304 340 gr | Finishing .13 .14

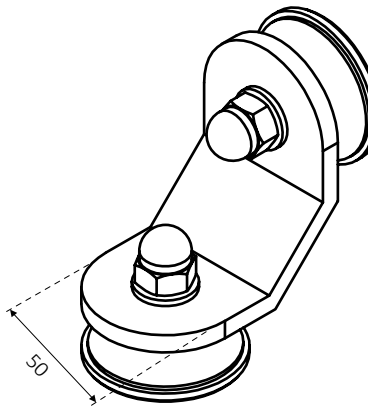


362.50



Angle Support G-G Ø50

AISI 304 420 gr | Finishing .13 .14

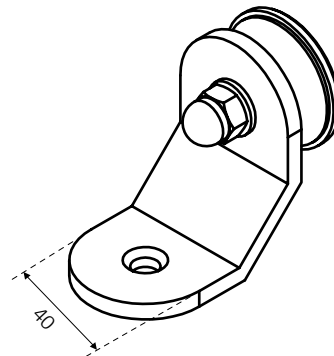


363.40



Angle Support G-W Ø40

AISI 304 200 gr | Finishing .13 .14

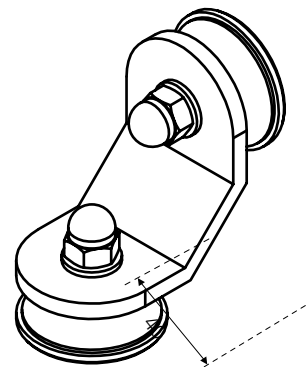


364.40

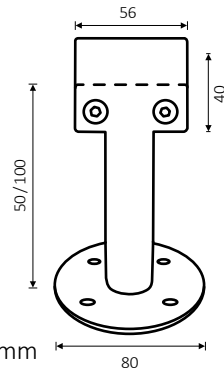


Angle Support G-G Ø40

AISI 304 265 gr | Finishing .13 .14



882

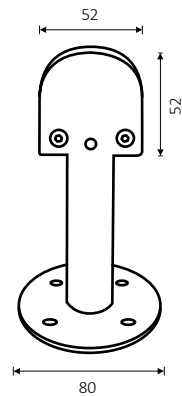


Fixed Dimensions 50mm and 100mm

Fixed Stainless steel Spacer 100mm & 50mm For Glass 8-10mm, 12-16mm, 18-20mm

AISI 316 Finishing .13 .14

883



Fixed Dimensions 50mm and 100mm

Fixed Stainless steel Spacer 100mm & 50mm For Glass mm~13mm

AISI 316 Finishing .13 .14

1560

Metal Anchor (PFG Type)
M8- M10- M12



382

Screw Stainless steel



383

Nut M8- M16



VARIABLE DIMENSIONS

384

Stainless steel Cap Nut



385

Stainless steel Rod 1M



VARIABLE DIMENSIONS

1692

Stainless steel Bar U

CODE	L	GLASS
1692.10	2,50 m	8-12 mm
1692.16	2,50 m	14-16 mm
1692.20	2,50 m	18-20 mm



1780

Spray Five HD2



1781

Spray STAINLESS STEEL CC



1812

Passivation Spray



1500

Chemical Resins



stainless steel balconies stanchions

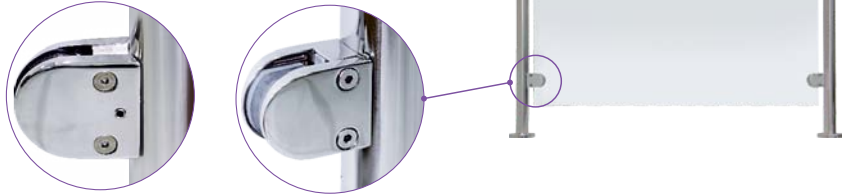
STAINLESS STEEL AISI 304/316
FINISHING: MIRROR OR SATIN

BALUSTRADE with PLR Tube Connector
Ø50~Ø80



PLR TUBE CONNECTOR Ø50~Ø80
4-Way Adjustable

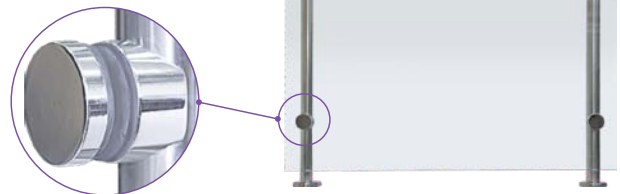
ZINC ALLOY / STAINLESS STEEL
BALUSTRADE Ø42,4 x 2,5 With Clamps



411.15

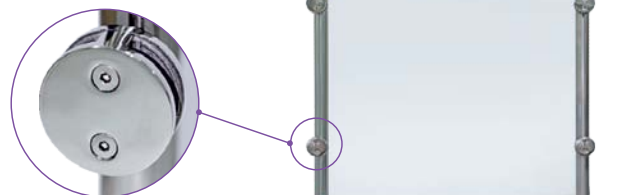
411.13

BALUSTRADE Ø42,4 x 2,5 with
Handrail Ø43 x 1,5 & Glass Holder Ø50



3027

BALUSTRADE Ø42,4 x 2,5
With Handrail
Ø43 x 1,5 & Round Clamp Ø60



413

3043

Tube (Variable
Dimensions)

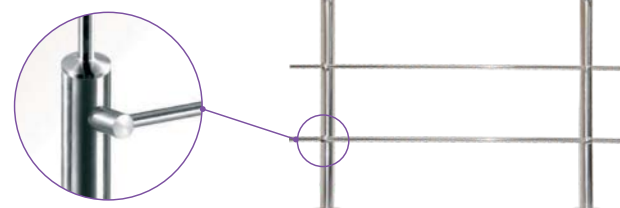


3044

Rod Ø12, Ø16



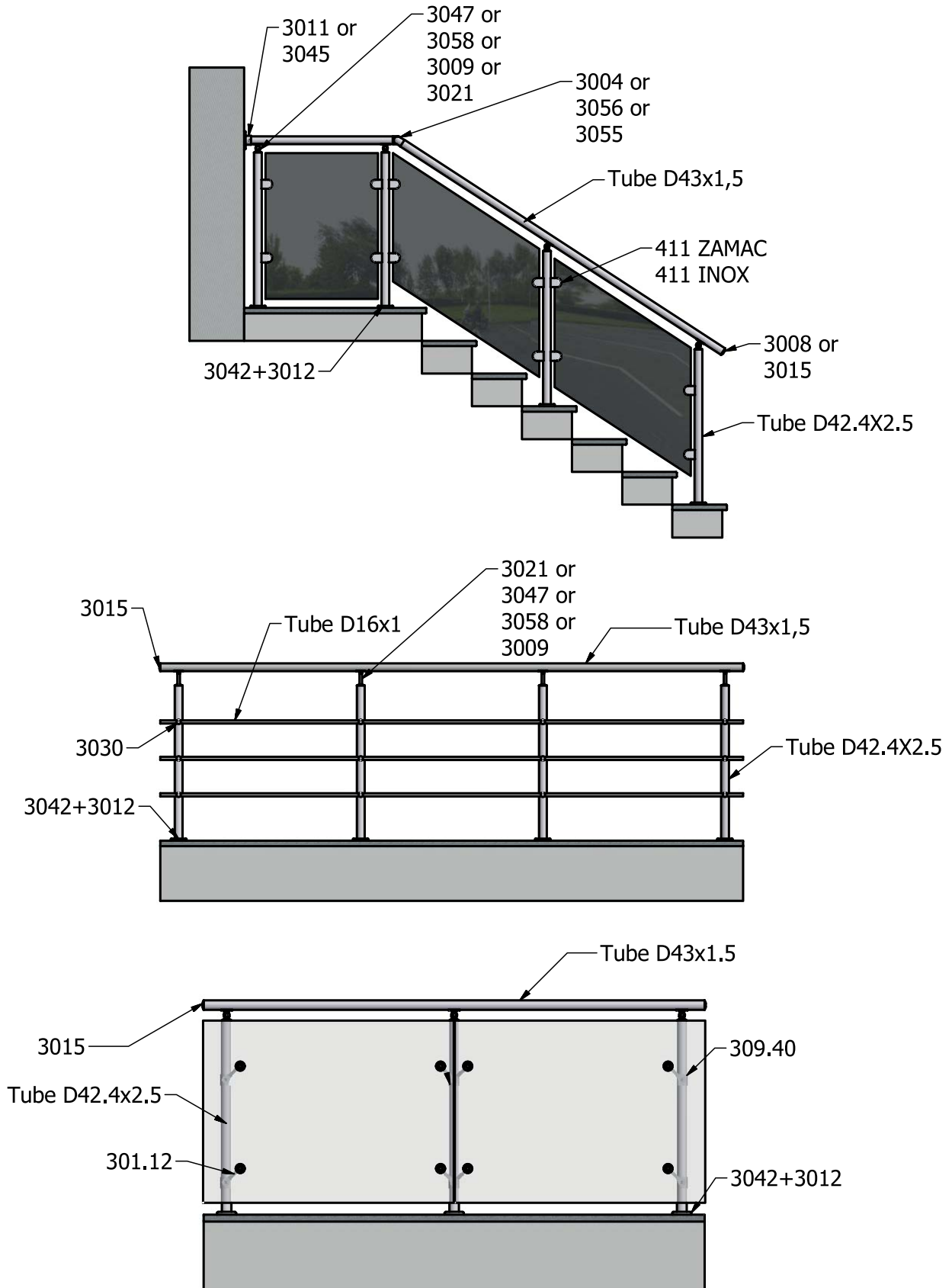
BALUSTRADE Ø42,4 x 2,5
With Handrail Ø43 x 1,5 & Tubes Ø16



3030.64216

Dimensions mm

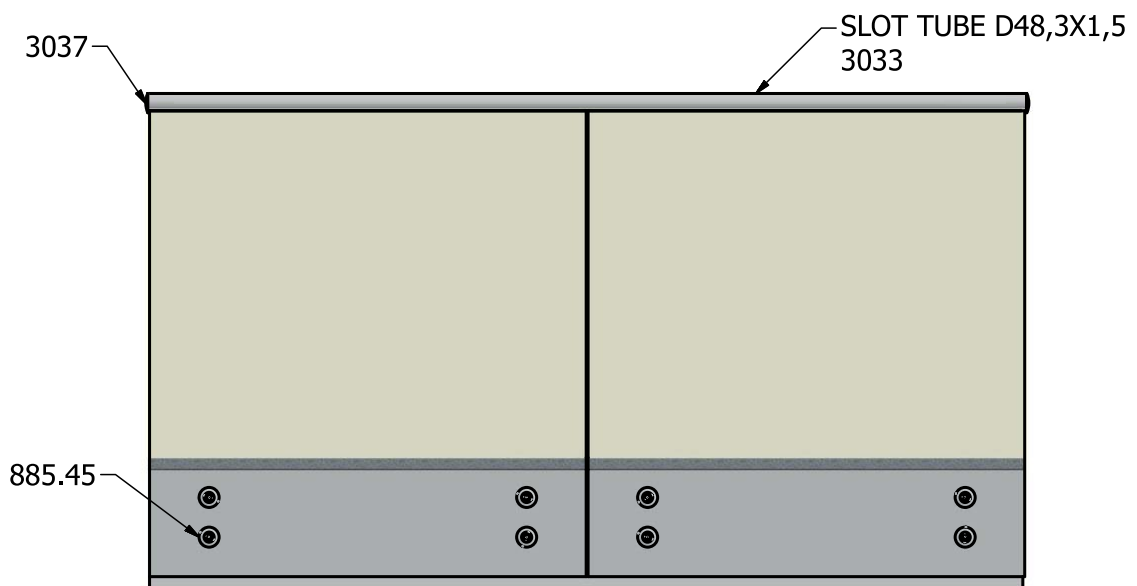
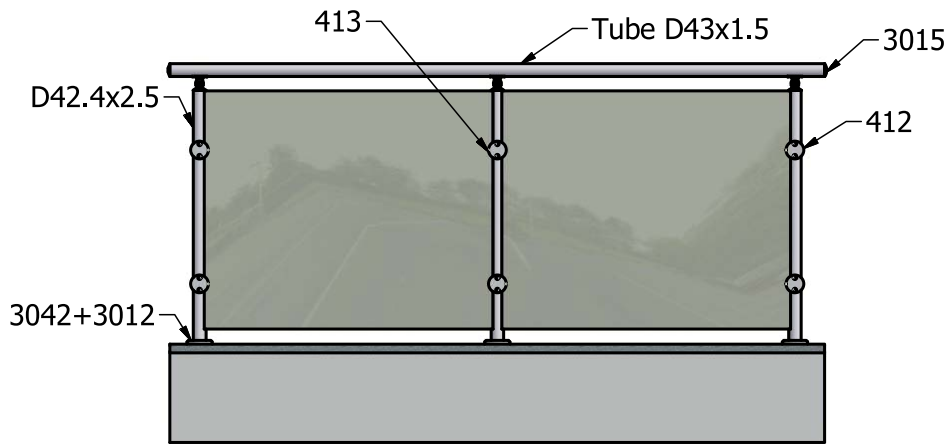
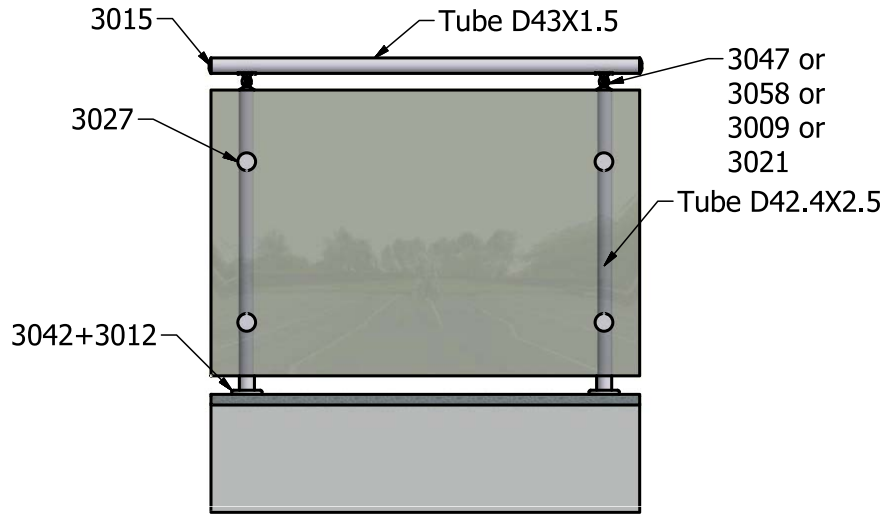
stainless steel balconies drawings





The challenges of modern architectural glass applications & constructions, give us the motivation to constantly improve our products and services beyond our customers' expectations.

stainless steel balconies drawings





HOW TO ORDER

0000.000.00

PRODUCT NUMBER.DIMENSION.FINISHING

Dimensions are used for a limited range of products.

Wherever there is no dimension the product number is followed by the finishing code.

ACCESSORIES

FINISHING

STAINLESS STEEL [SOLID]

.13 POLISHED

.14 SATIN

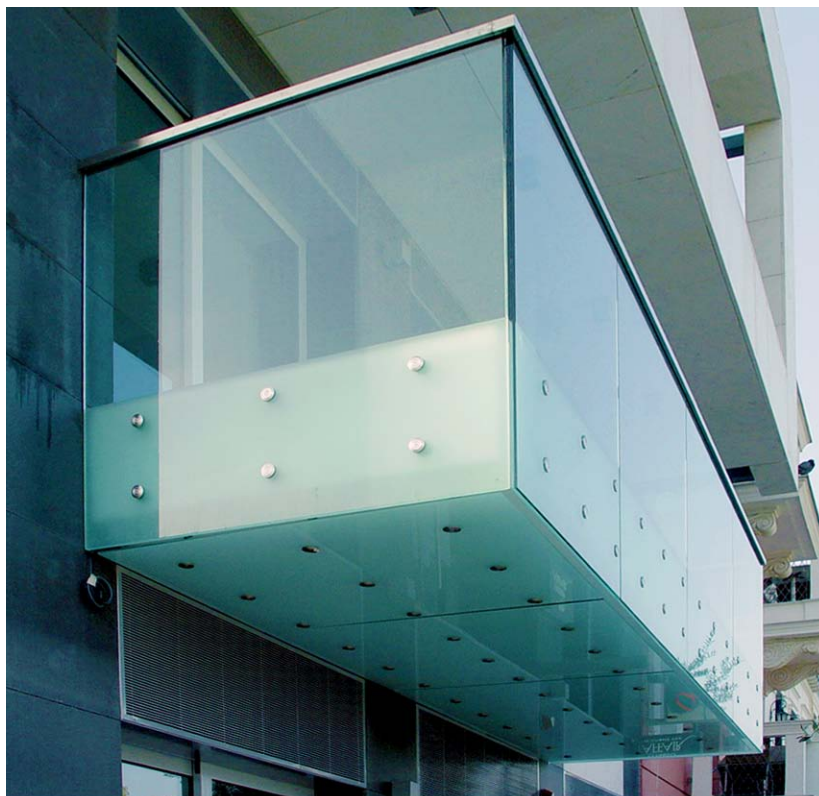
ALUMINUM

.25 SATIN ANODIZED

ZINC ALLOY [ZAMAC]

.15 MIRROR CHROMED

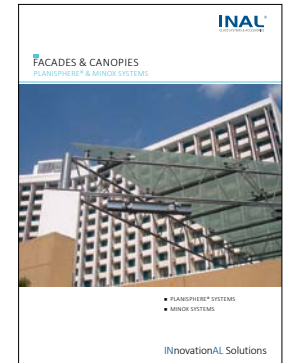
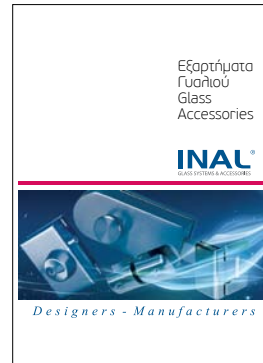
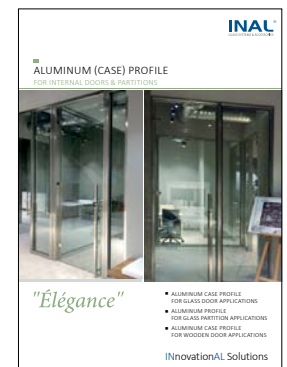
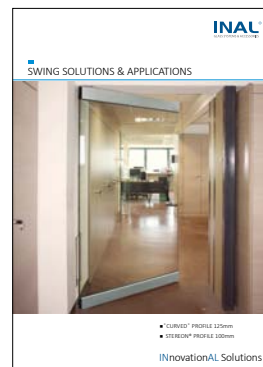
.16 SATIN CHROMED



ACCESSORIES FOR BALUSTRADES



ALSO DOWNLOAD OUR PRODUCT CATALOGUES



INnovationAL Solutions