

BALCONIES - GLASS BALUSTRADE RAILS



- FLOOR MOUNTED GLASS BALUSTRADE RAIL INAL[®] B1780
- INFLOOR MOUNTED GLASS BALUSTRADE RAIL INAL[®] U1780
- SIDE MOUNTED GLASS BALUSTRADE RAIL INAL[®] S1780
- FLOOR MOUNTED GLASS BALUSTRADE RAIL INAL[®] B1785
- FLOOR MOUNTED GLASS BALUSTRADE RAIL INAL[®] B1735
- FLOOR MOUNTED GLASS BALUSTRADE RAIL[®] B1705
- FLOOR MOUNTED BASE PROFILES & SLOT TUBES
- SPACERS FOR GLASS BALUSTRADES

INAL® B1780

floor mounted glass balustrade rail



INTERMETAL SA PATENT



! Combine
WITH INAL® HANDRAIL
5022.25

ALWAYS USE SAFETY GLASS.
ALL FIGURES ARE CALCULATED WITH TEMPERED-LAMINATED GLASS.
ALWAYS FOLLOW THE REGULATIONS OF THE GLASS FABRICATORS.

INAL® FLOOR MOUNTED glass balustrade base rail solution for balconies provides a limitless view and unobstructed aesthetic result.

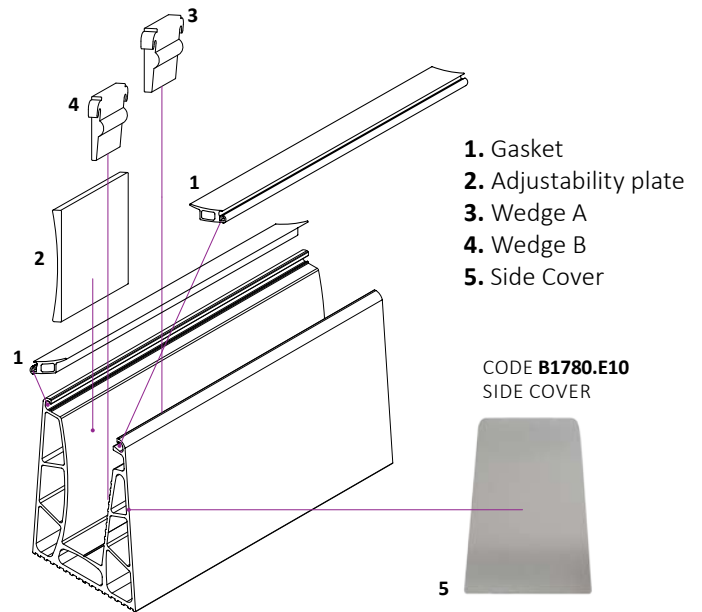
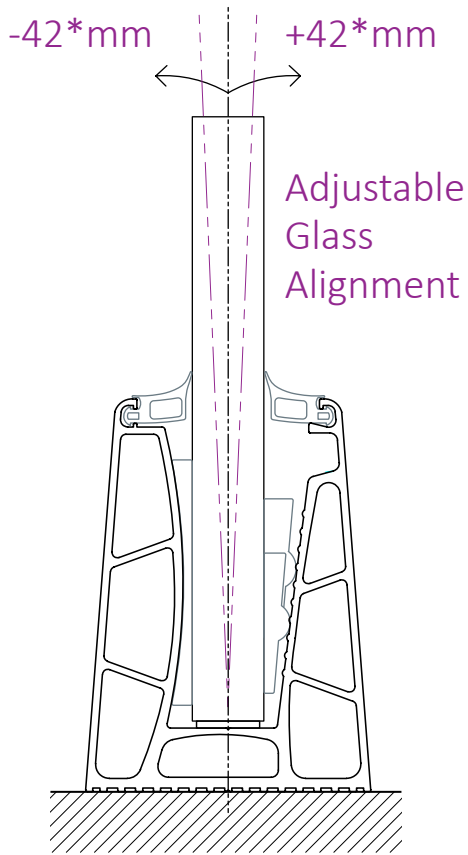
An innovative, patented aluminum rail profile with **adjusting alignment** for the easiest installation of the glass. A durable and secure glass balustrading application combined either with 8mm+8mm (16,40mm- 17,52mm) or 10mm+10mm (20,40mm - 21,52mm) safety glass up to 1,20m height from the floor level (finished floor) without any vertical supports or connectors.

The ultimate glass balustrade rail system of impeccable quality and uncompromising safety.

technical specifications

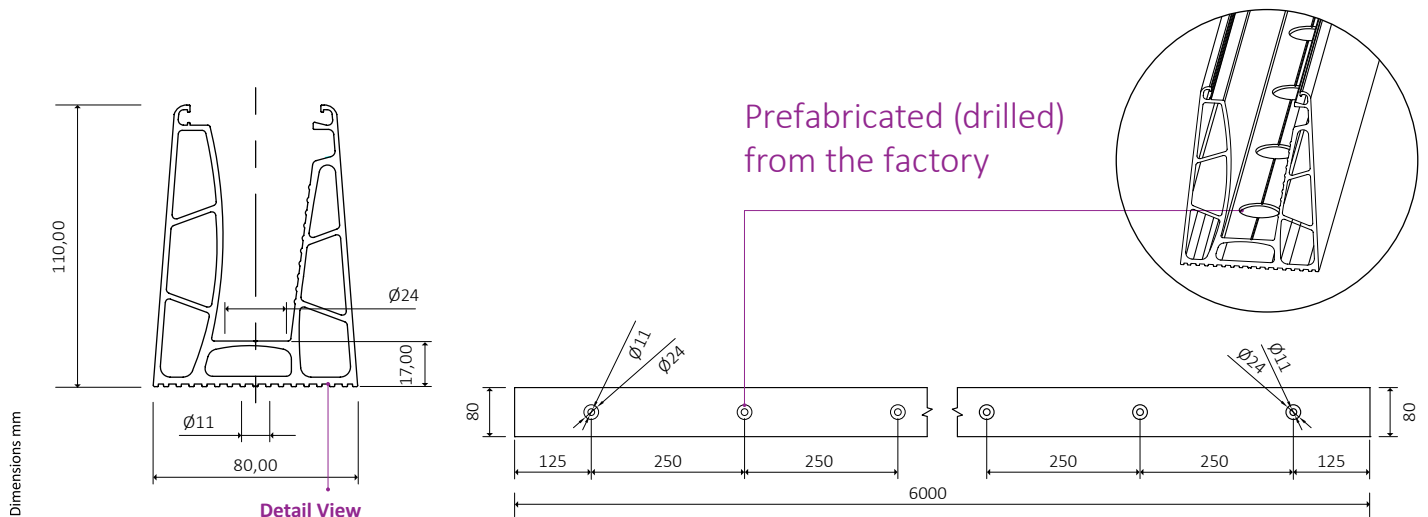
Width	80mm
Height	110mm
Glass Thickness	16,4mm- 17,52mm 20,4mm- 21,52mm
Length	6m
Material	Aluminum
Finishing	Natural / Satin anodized, RAL powder coating

glass alignment



GLASS HEIGHT	ALIGNMENT
1,0m	± 34mm
1,10m	± 38mm
1,20m	± 42mm

cross section



infloor mounted glass balustrade rail



INTERMETAL SA PATENT



! Combine
WITH INAL® HANDRAIL
5022.25

ALWAYS USE SAFETY GLASS.
ALL FIGURES ARE CALCULATED WITH TEMPERED-LAMINATED GLASS.
ALWAYS FOLLOW THE REGULATIONS OF THE GLASS FABRICATORS.

INAL® INFLOOR mounted glass balustrade rail solution for balconies provides a limitless unobstructed view and unique aesthetic result. An innovative, patented aluminum rail profile with **adjusting alignment** for the easiest installation of the glass.

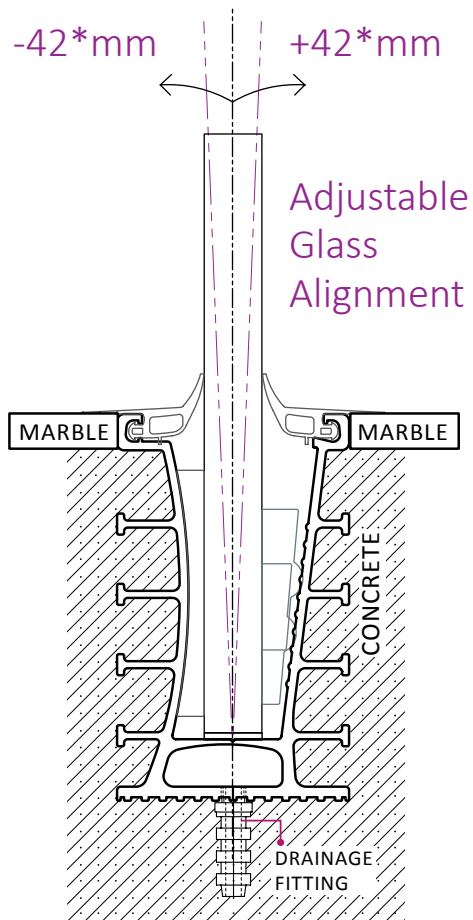
A durable and secure glass balustrading application combined either with 8mm+8mm (16,40mm- 17,52mm) or 10mm+10mm (20,40mm- 21,52mm) safety glass up to 1,20m height from the floor level (finished floor) without any vertical supports or connectors.

The ultimate glass balustrade rail system of impeccable quality and uncompromising safety.

technical specifications

Width	66mm
Height	110mm
Glass Thickness	16,4mm- 17,52mm 20,4mm- 21,52mm
Length	6m
Material	Aluminum
Finishing	Aluminum mill finish

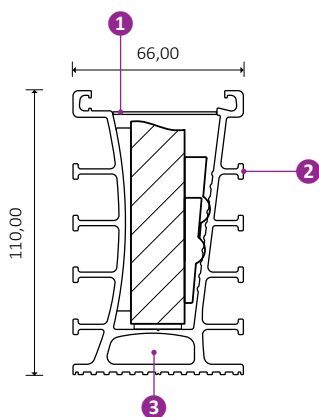
glass alignment



GLASS HEIGHT	ALIGNMENT
1,0m	± 34mm
1,10m	± 38mm
1,20m	± 42mm

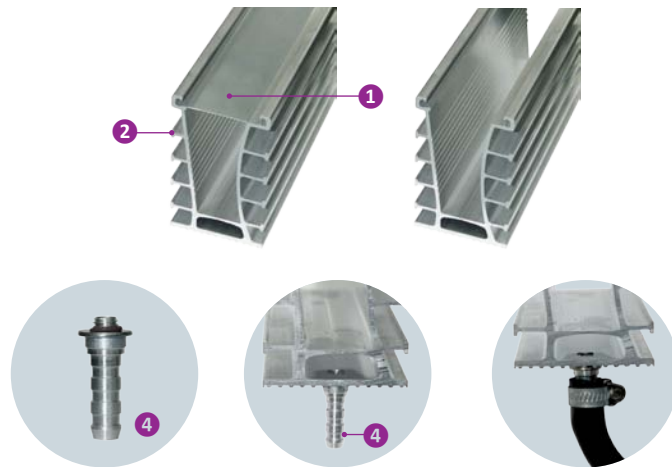
cross section

Removable cover for protection from concrete



Dimensions mm

details



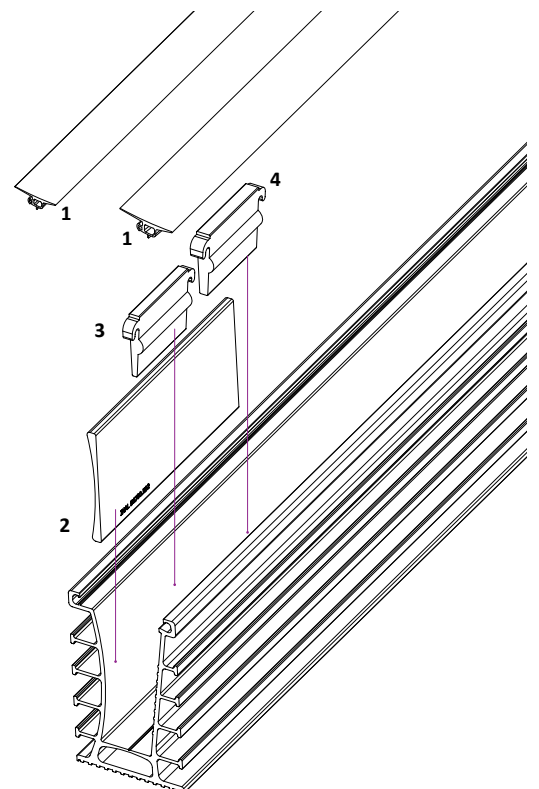
OPTIONAL
U1780.E20

Unique designed for easy installation, with a removable aluminum cover **1** for protection during concrete casting. The side nerves **2** are specially designed for static strength and composite behaviour with concrete, for connecting and aligning profiles and for the retention with the internal metal structures of the concrete.

The inner chamber **3** is also a drain collector, which can be easily connected to the water abstraction system by using the drainage fitting **4**.

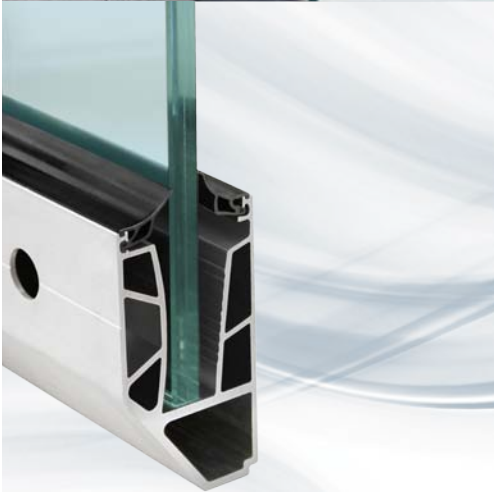
parts

1. Gasket
2. Adjustability plate
3. Wedge A
4. Wedge B



INAL® S1780

side mounted glass balustrade rail



INTERMETAL SA PATENT

CERTIFIED BY



! Combine
WITH INAL® HANDRAIL
5022.25

ALWAYS USE SAFETY GLASS.

ALL FIGURES ARE CALCULATED WITH TEMPERED-LAMINATED GLASS.

ALWAYS FOLLOW THE REGULATIONS OF THE GLASS FABRICATORS.

INAL® SIDE MOUNTED glass balustrade base rail solution for balconies. An innovative, patented aluminum rail profile with adjusting alignment for the easiest installation of the glass. A durable and secure glass balustrading application combined either with 8mm + 8mm (16,40mm- 17,52mm) or 10mm + 10mm (20,40mm- 21,52mm).

Maximum glass height 1,20m from the floor level (finished floor) and maximum glass height 1,30m in total without any vertical supports or connectors.

Combined with stainless steel and aluminum decorative covers.

technical specifications

Width	77mm
Height	143mm
Glass Thickness	16,4mm- 17,52mm 20,4mm- 21,52mm
Length	3m
Material	Aluminum
Finishing	Aluminum mill finish
Cover finishing	Stainless steel Mirror, Stainless steel Satin, RAL powder coating

INAL® B1785

floor mounted glass balustrade rail



INTERMETAL SA PATENT

INAL® FLOOR MOUNTED glass balustrade base rail solution for balconies.

An innovative, patented aluminum rail profile with adjusting alignment for the easiest installation of the glass.

A durable and secure glass balustrading application combined either with 6mm + 6mm (12,4mm- 13,52mm) or 8mm + 8mm (16,4mm- 17,52mm).

An ideal solution for applications above parapet for maximum glass height 0,70m.

technical specifications

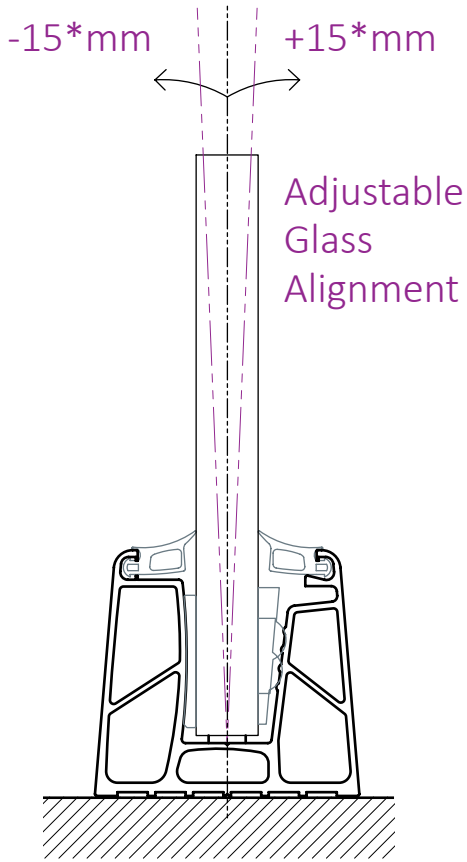
Width	70mm
Height	65mm
Glass Thickness	12,4mm- 13,52mm 16,4mm- 17,52mm
Length	6m
Material	Aluminum
Finishing	Natural / Satin anodized, RAL powder coating

ALWAYS USE SAFETY GLASS.

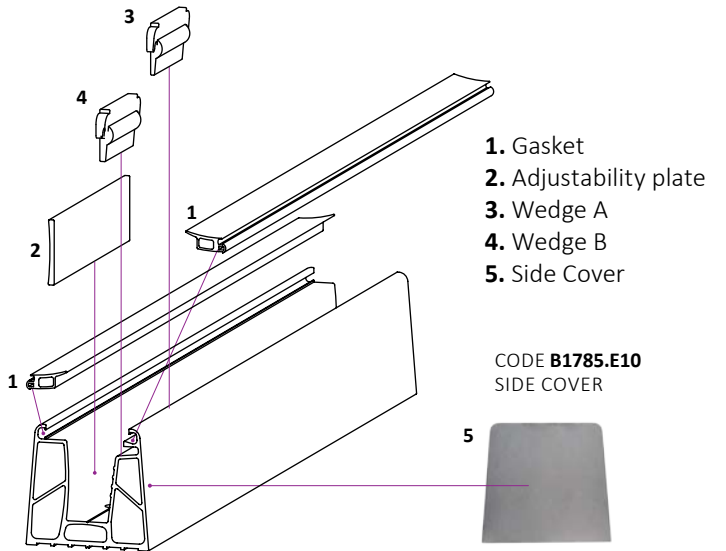
ALL FIGURES ARE CALCULATED WITH TEMPERED-LAMINATED GLASS.

ALWAYS FOLLOW THE REGULATIONS OF THE GLASS FABRICATORS.

glass alignment

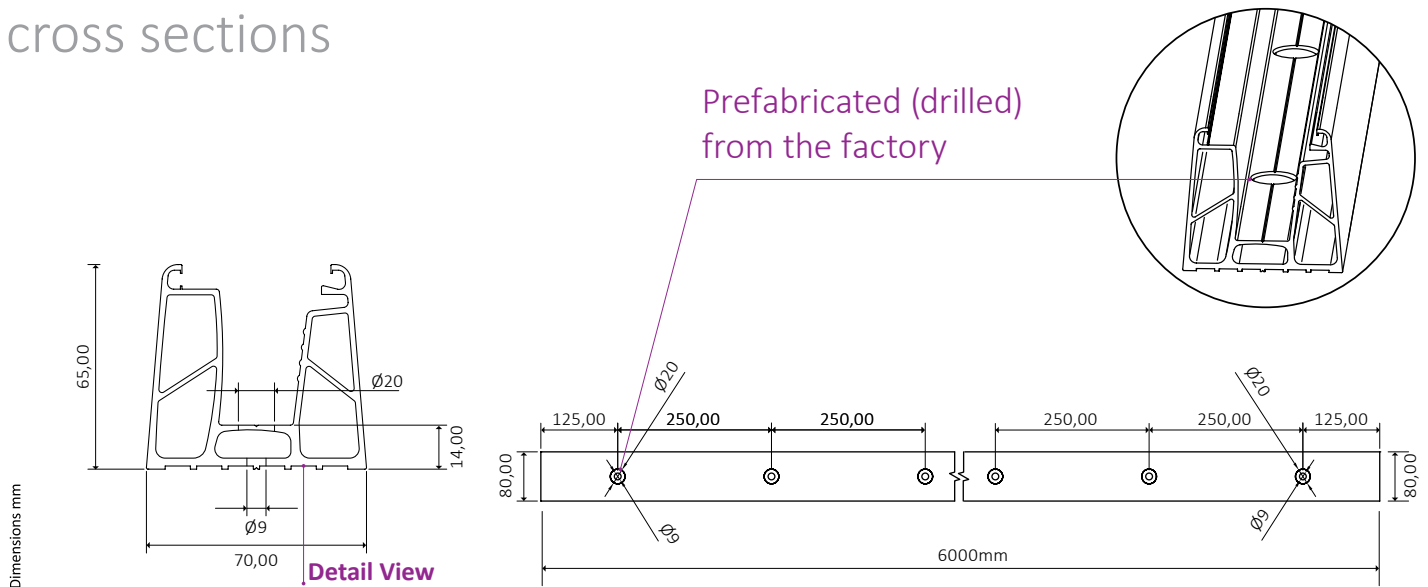


parts



GLASS HEIGHT	ALIGNMENT
0,70m	± 15mm

cross sections



floor mounted glass balustrade rail



INAL® glass clamp B1735, INAL® patented solution for balconies. Manufactured from high resistance casted steel, tested for durability and strength.

For safety glasses 8-16mm with adjustable clamping thickness 8-17,20mm, up to 0,60m height. Complied with aluminum covers with natural or satin anodized finishes.

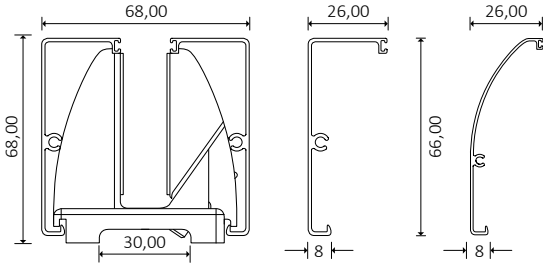
Easy and quick installation.

technical specifications

Width	60mm
Height	64,50mm
Glass Thickness	B1735.12: 14-16mm B1745.12: 8-12mm Adjustable clamping glass thickness 8mm-17,52mm
Length	160mm
Material	Casted Steel
Aluminum Cover Finishing	Natural / Satin anodized

ALWAYS USE SAFETY GLASS.
ALL FIGURES ARE CALCULATED WITH TEMPERED-LAMINATED GLASS.
ALWAYS FOLLOW THE REGULATIONS OF THE GLASS FABRICATORS.

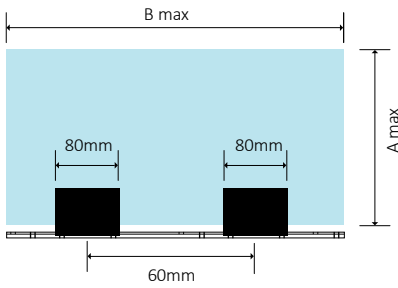
cross sections



Dimensions mm



glass dimension calculation



A max GLASS HEIGHT	B max GLASS LENGTH
UP TO 0,40m	1,10m
UP TO 0,50m	1,05m
UP TO 0,60m	1,00m

parts



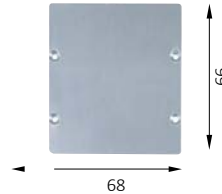
CODE **B1738**
Clamp Cover Curved
Aluminum



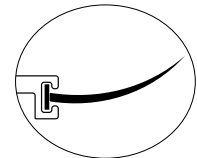
CODE **B1739**
Side Cover Curved
Aluminum



CODE **B1736**
Clamp Cover
Aluminum

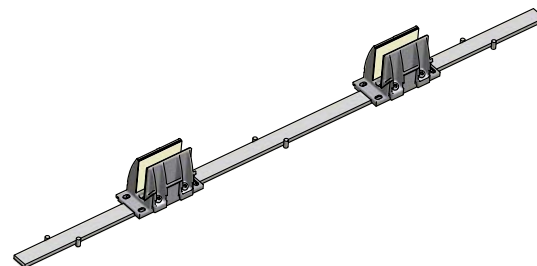
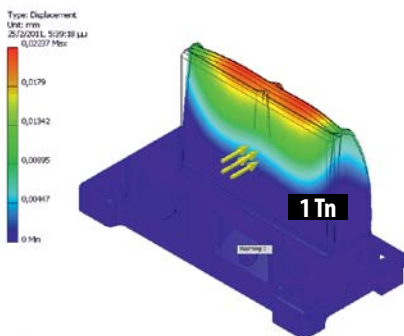


CODE **B1737**
Side Cover
Aluminum



Rubber For Clamp Cover,
Glass Thickness
8-17,52 mm

stress test

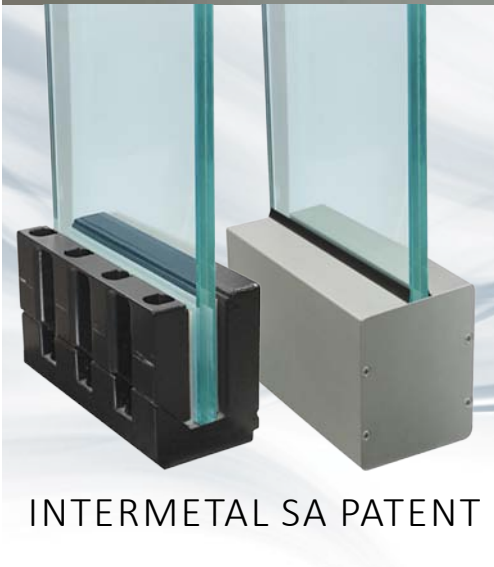


Possibility of Alignment with Blade

Capability of alignment with steel plate

INAL® B1705

floor mounted glass balustrade rail



INAL® glass clamp B1705 an innovative, INAL® patented solution for balconies. Manufactured from high resistance casted aluminum, tested for durability and strength.

For safety glasses 16-24mm with adjustable clamping thickness 16-25,20mm, up to 1,10m height.

Complied with aluminum covers with natural or satin anodized finishes.

Easy and quick installation.

INTERMETAL SA PATENT

technical specifications

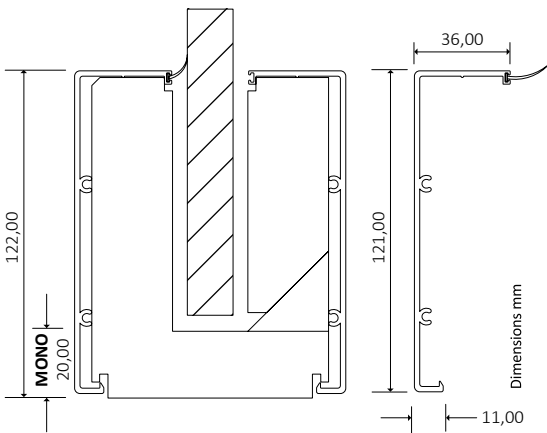
Width	90mm
Height	120mm
Glass Thickness	16-24mm Adjustable clamping glass thickness 16mm-25,20mm
Length	B1705.10: 10cm B1705.20: 20cm
Material	Casted Aluminum
Aluminum Cover Finishing	Natural / Satin anodized

ALWAYS USE SAFETY GLASS.

ALL FIGURES ARE CALCULATED WITH TEMPERED-LAMINATED GLASS.

ALWAYS FOLLOW THE REGULATIONS OF THE GLASS FABRICATORS.

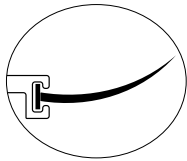
cross sections



parts



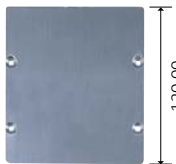
CODE **B1706**
Clamp Cover
Aluminum



Rubber For Clamp Cover
Glass Thickness
16,40-25,52 mm

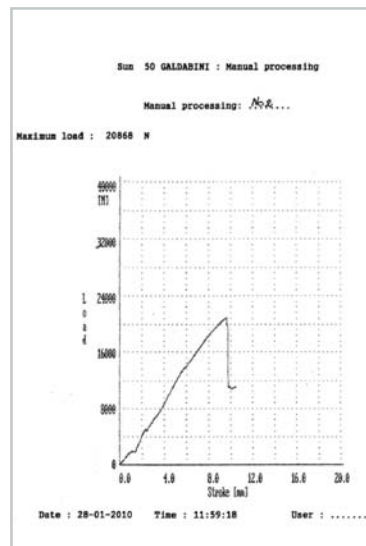


CODE **B1707**
Side Cover
Aluminum



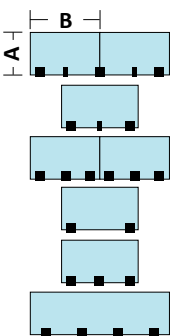
CODE **B1707**
Side Cover
Plastic

certification test



Bending Force (N)
diagram with the
glass deformation
(mm) for

glass dimension calculation



A GLASS HEIGHT	B GLASS LENGTH	CLAMP 20cm		CLAMP 10cm	
		CODE	PIECES	CODE	PIECES
UP TO 0,80m	UP TO 1,30m	B1705.20	3	B1705.10	2
UP TO 0,80m	1,3m - 1,70m	B1705.20	2	B1705.10	1
UP TO 0,80m	1,7m - 2,10m	B1705.20	6	-	-
0,8m - 1,10m	UP TO 1,30m	B1705.20	2	-	-
0,8m - 1,10m	1,3m - 1,70m	B1705.20	3	-	-
0,8m - 1,10m	1,7m - 2,10m	B1705.20	4	-	-

INAL® 5020.25 - 5021.25 - 5022.25

floor mounted base profiles & slot tubes

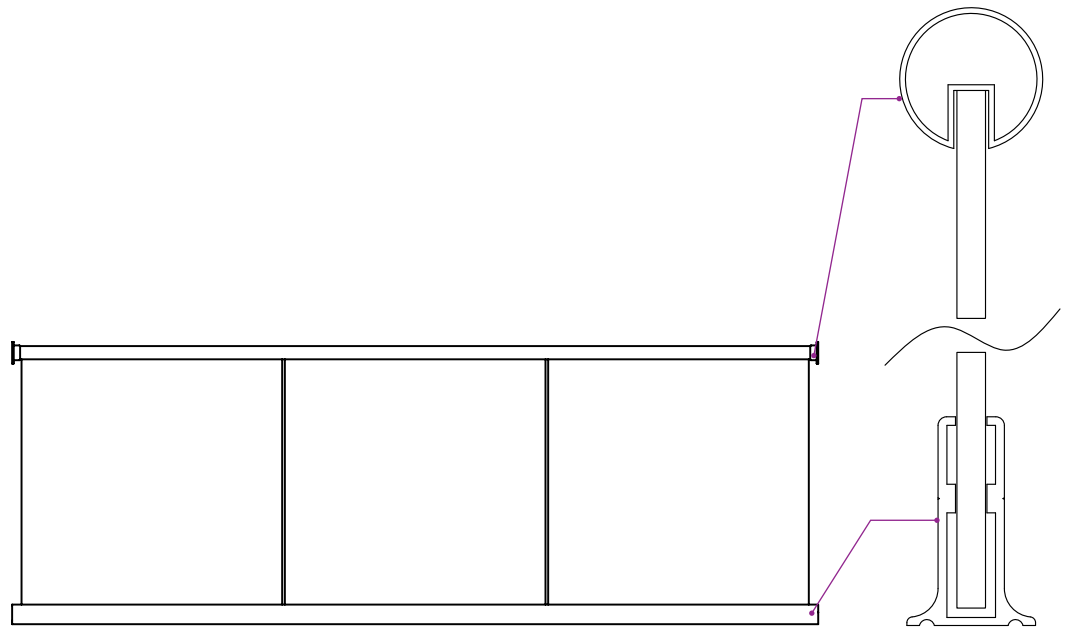
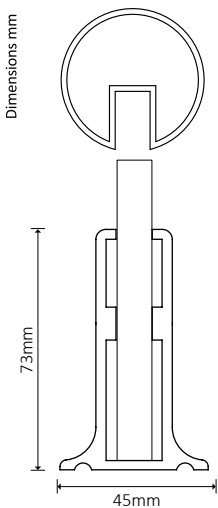


INAL® Ground base profile in combination with INAL® Slot tubes, are suitable for applications with 10-11mm thickness glass panels.

technical specifications

Width	45mm
Height	73mm
Glass Thickness	10-11mm
Length	6m
Material	Aluminum
Finishing	Satin anodized

application



handrail 5022



CODE **5022.25**
Aluminum Slot Tube
for 16-21,2mm Glass

Available for Glass 16-21,52mm



CODE **5070.25**
External Wall Flange Ø50



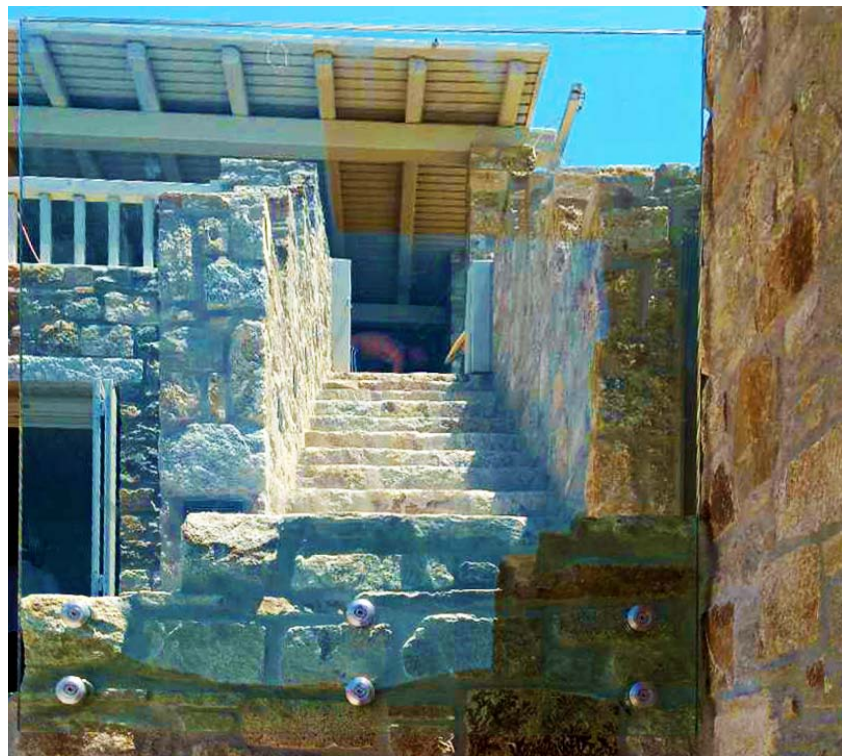
CODE **5071.25**
Cover plate Ø50

ALWAYS USE SAFETY GLASS.
ALL FIGURES ARE CALCULATED WITH
TEMPERED-LAMINATED GLASS.
ALWAYS FOLLOW THE REGULATIONS OF THE
GLASS FABRICATORS.

spacers



INAL® Stainless steel glass spacers adjustable or fixed. Heavy duty accessories made from stainless steel, providing stability at your glass balustrades and aesthetic minimal design at your balconies.

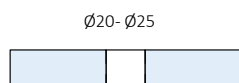
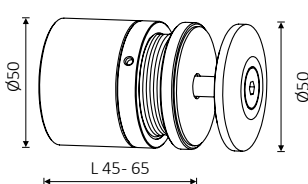


885.45 ADJUSTABLE

Adjustable Glass Spacer **AISI 316** Stainless steel | Metal Anchor M12, Screw M12x90 | Finishing Mirror, Satin

Adjustment
from 45 up to 65mm

M10

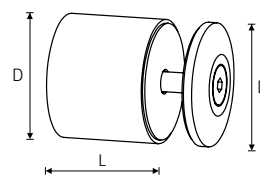


Available for Glass
8-20mm

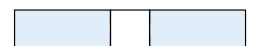
884.40/50 FIXED

Fixed Spacer for 8-20mm Glass, **AISI 316** / **AISI 304** Stainless steel | Finishing Mirror, Satin

M10



Ø20- Ø25



CODE	GLASS THICKNESS	D	L
884.30/40	8-20 mm	40 mm	30 mm
884.30/50	8-20 mm	50 mm	30 mm
884.40/40	8-20 mm	40 mm	40 mm
884.40/50	8-20 mm	50 mm	40 mm

