

■
ALUMINUM CASE PROFILE
FOR INTERNAL DOORS & PARTITIONS



"Élégance"

- ALUMINUM CASE PROFILE FOR GLASS DOOR APPLICATIONS
- ALUMINUM PROFILE FOR GLASS PARTITION APPLICATIONS
- ALUMINUM CASE PROFILE FOR WOODEN DOOR APPLICATIONS

INnovation**AL** Solutions

ELEGANCE

aluminum case for glass doors

Designed for a fast and easy assembly. Available in five adjustable width sizes, according to the side wall thickness W: 70-100mm/95-125mm/125-140mm/140-175mm /175-205mm.

The "Élégance" aluminum case profile is combined with INAL® glass door hinges 173, 173V & 179. These hinges are specially designed to secure into the case profile, support safely the glass and provide the maximum door opening.

Available in a big range of finishing to match the same finishing of the case profile.

An ideal solution of a complete, aesthetic and functional application for your doors and partitions.

The rubber gasket «Ω» type is fitted around the case to provide sealing and silent closing.

For a perfect application we recommend INAL® locks VL 155C Chameleon, 243G, 247G, 280, 280WC and bolts 910, 910C, 903G.



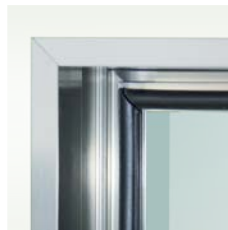
product details



Detail corner connection (external)



Detail side view



Sealing rubber gasket



Hinges with safety fixing plate



Detail corner connection (internal)

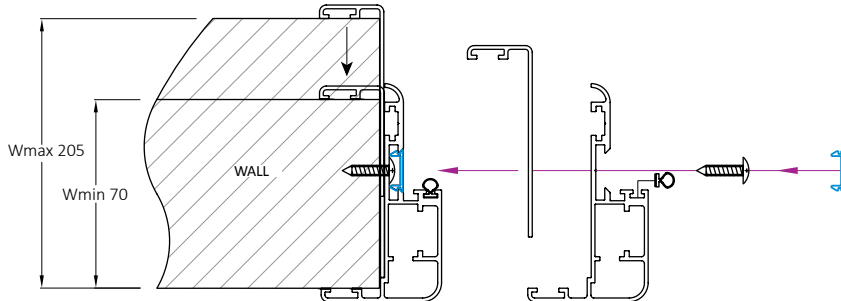


Detail side view



Sealing rubber gasket

plan view

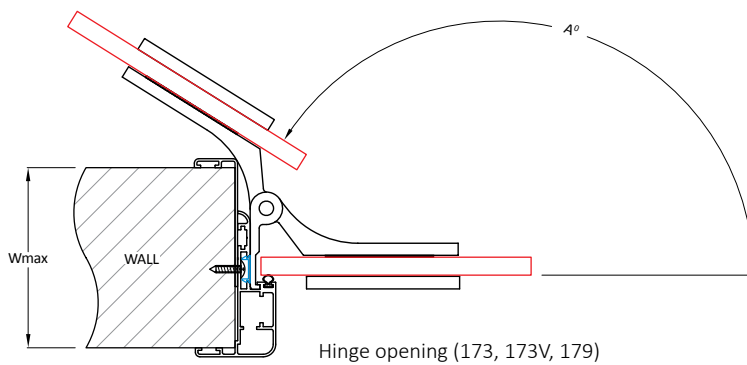


DOOR OPENING SPECIFICATIONS

Wmin	Wmax	A°
70mm	100mm	198° to 148°
95mm	125mm	153° to 129°
125mm	140mm	129° to 120°
140mm	175mm	120° to 110°
175mm	205mm	110°

In combination with the use of INAL® Glarit Hinge code 173, 173V, 179.

*INAL® Glarit Hinge code 170, provides door opening of 150°.



case finishing

- Natural anodised **.01**
- Gold anodised [UPON REQUEST].**02**
- Satin anodised **.25**
- RAL Powder coating [UPON REQUEST].**21**



aluminum profile for internal glass partitions

Internal glass partitions, where maintaining visual contact and lightness is necessary. Modern aluminum profile anodized or in any RAL color. In use with tempered glass, laminated glass and double glazing from 8mm up to 22mm thickness, transparent or sandblasted where privacy is necessary.

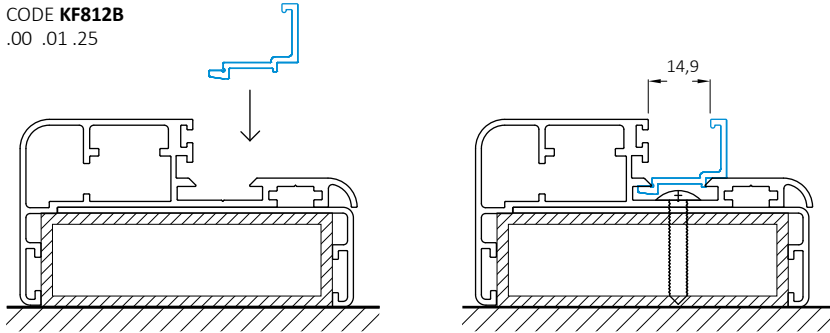
An architectural application which is suitable for the modern design requirements and fully fits in every space. Large glass surfaces without an intermediate profile connection, provide an unobstructed and aesthetic result. In combination with the aluminum case profile for a glass or wooden swing door, it is the complete solution for the separation of internal spaces.



aluminum profile for fixed glass

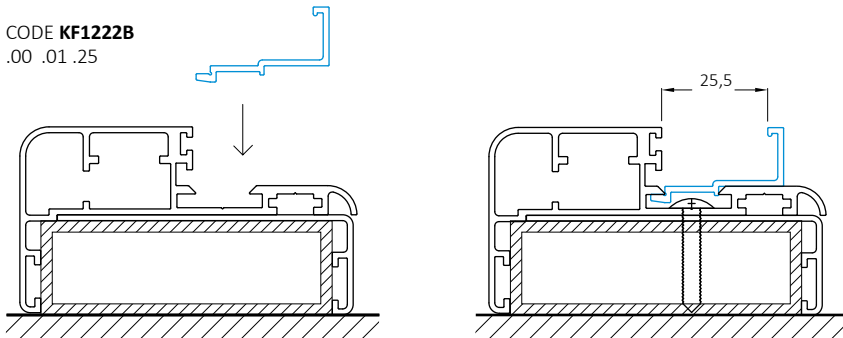
FOR 8-12mm GLASS

CODE **KF812B**
.00 .01 .25



FOR 12-22mm GLASS

CODE **KF1222B**
.00 .01 .25



MODERN ALUMINUM PROFILE
FOR YOUR GLASS PARTITION

profile finishing

- Natural anodised **.01**
- Gold anodised [UPON REQUEST], **.02**
- Satin anodised **.25**
- RAL powder coating [UPON REQUEST] **.21**



accessories for glass door

!Combine
THE GLASS DOOR WITH INAL®
GLASS ACCESSORIES



VL 155C Chameleon

hinges

CODE **170**
Hinge Glarit G-W
.01 .02 .15 .16
.21 .25



CODE **173V**
Vertical Hinge
Glarit G-W
.01 .21 .25



CODE **173**
Hinge Curved
Design
.01 .02 .21 .25



CODE **179**
Hinge Line Design
.01 .02 .21 .25



locks



NEW

CODE **VL 155C**
Chameleon
Glass Lock

CODE **243G**
Glass Lock
.13 .14



CODE **247G**
Glass Lock
.16



CODE **280**
Meroni Lock
.01 .13 .21 GREY



CODE **280WC**
WC Meroni Lock
.01 .13 .21 GREY

SLOT ⓘ



bolts

CODE **903G**
Bathroom Lock
with Indication
.13 .14



CODE **910**
Door catcher
with knob
.01 .25



CODE **910C**
Door catcher
(Curved) with knob
.01 .25



CODE **K100-10**
Door Ball Catcher



aluminum case for wooden doors

The aluminum case "*Élégance*" is available for interior wooden doors, in the same sizes and functions as for the glass doors applications. It is combined with INAL[®] hinge W100, which is designed to secure into the case profile and support safely the door.



CODE **W100**
Hinge for Wooden Door
.01 .02 .21 .25

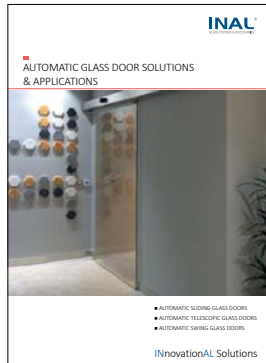
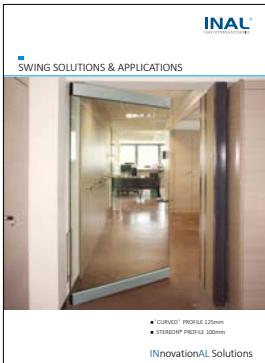
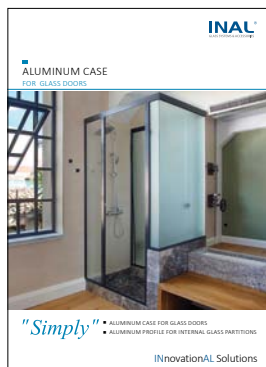


!Combine
WITH INAL[®] LOCK
CODE 283

"Élégance" ALUMINUM (CASE) PROFILE FOR INTERNAL DOORS & PARTITIONS



ALSO DOWNLOAD OUR PRODUCT CATALOGUES



INnovationAL Solutions